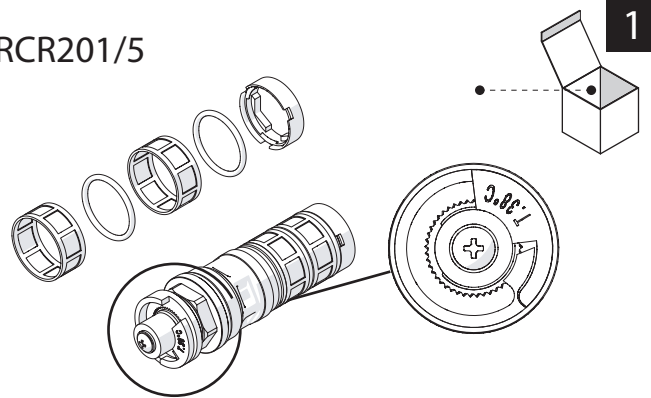
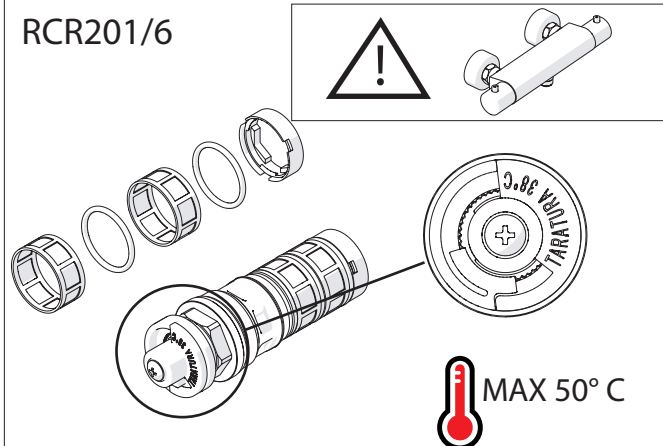


RCR201/5

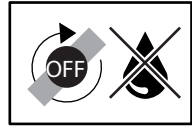
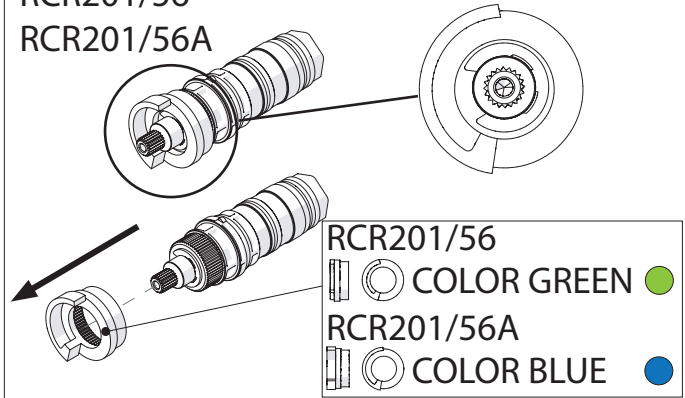


1

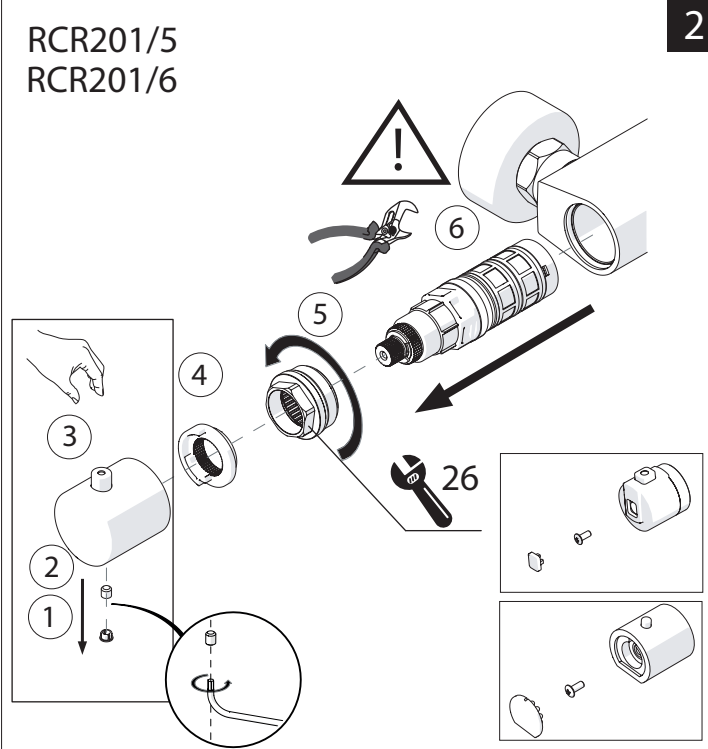
RCR201/6



RCR201/56  
RCR201/56A

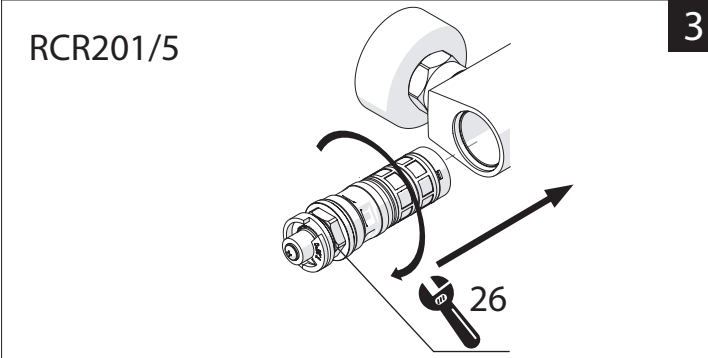


RCR201/5  
RCR201/6



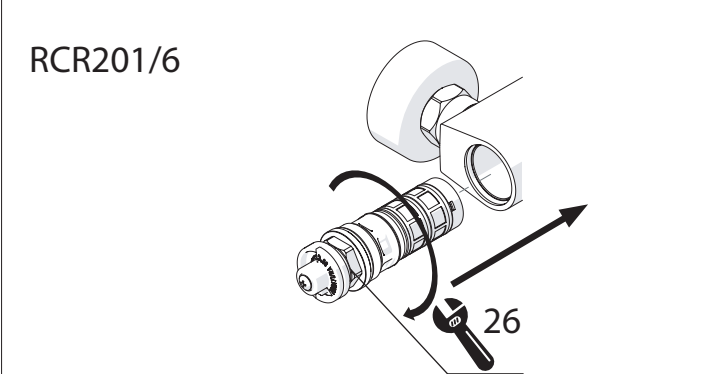
2

RCR201/5

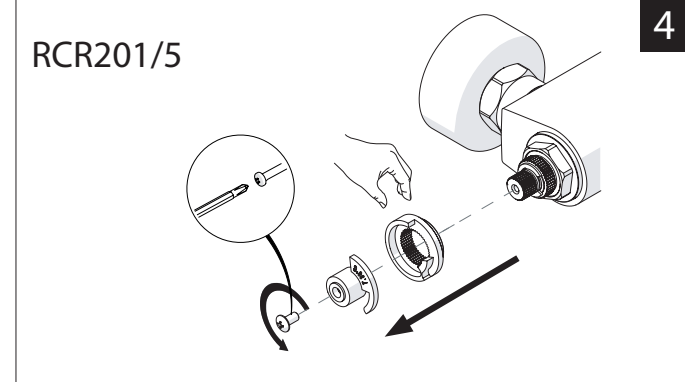


3

RCR201/6

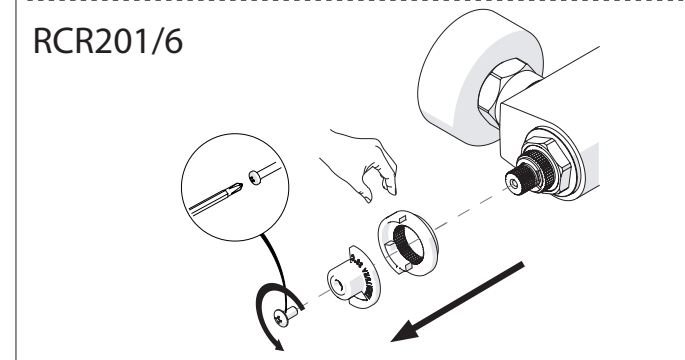


RCR201/5

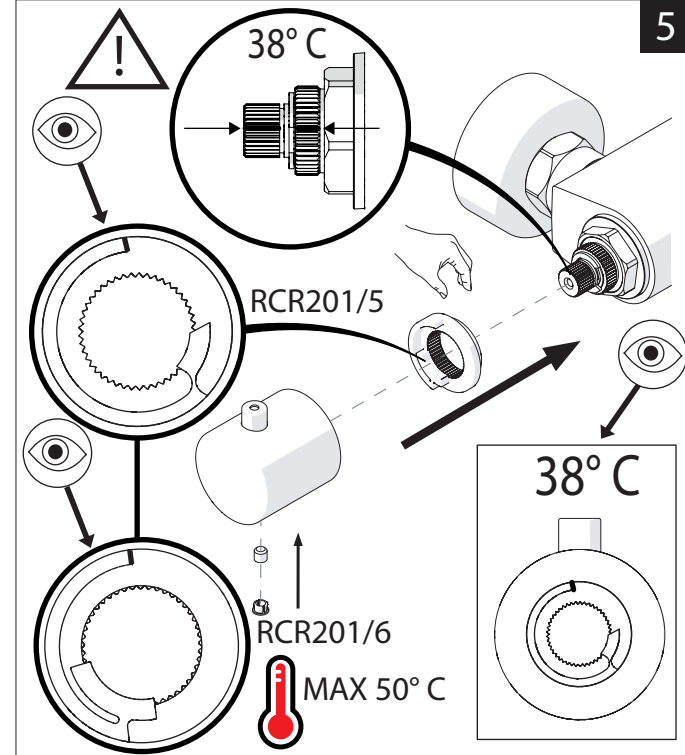


4

RCR201/6



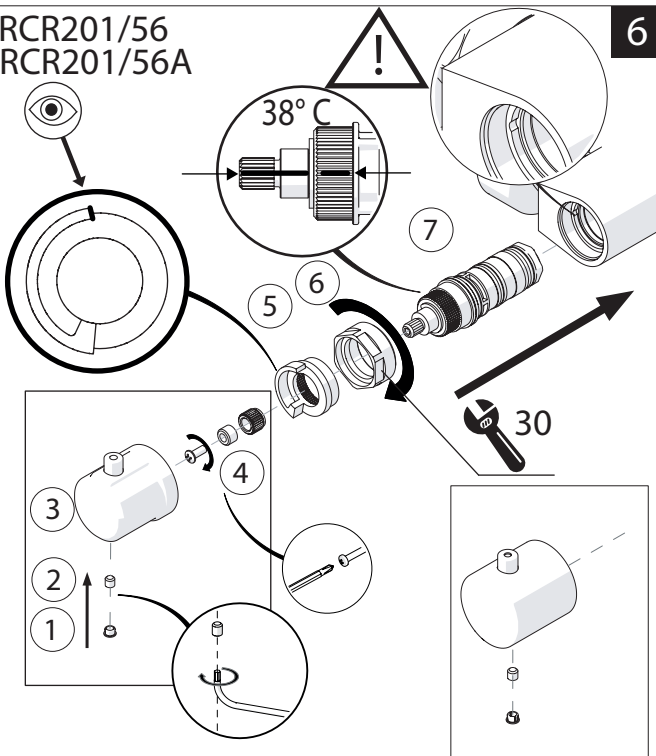
RCR201/5



5

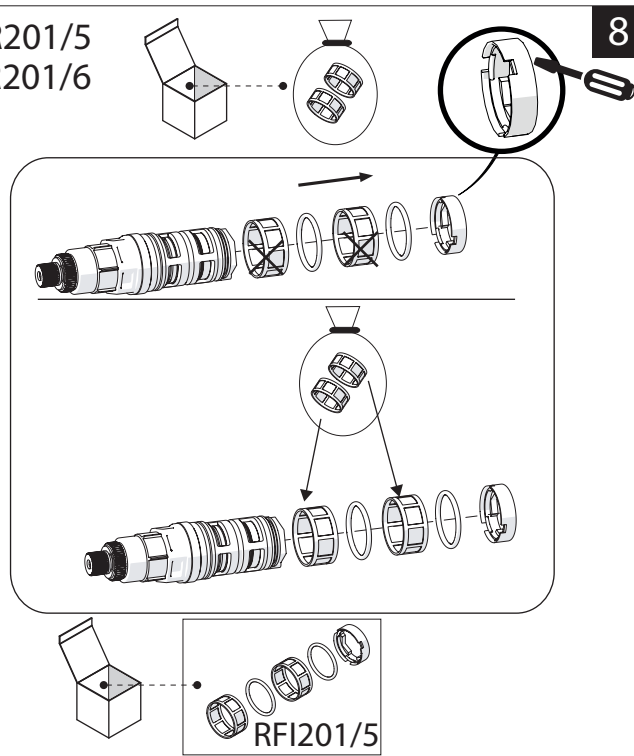
RCR201/56  
RCR201/56A

6

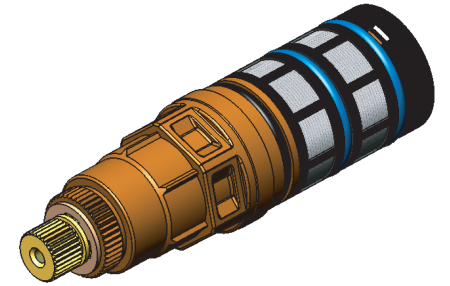


RCR201/5  
RCR201/6

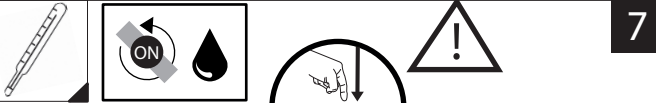
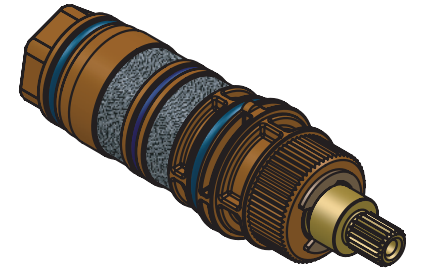
8



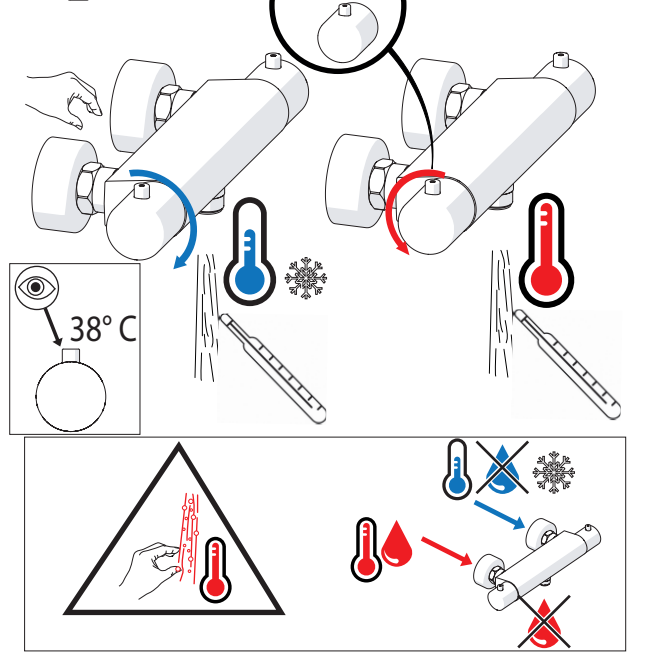
RCR201/5  
RCR201/6



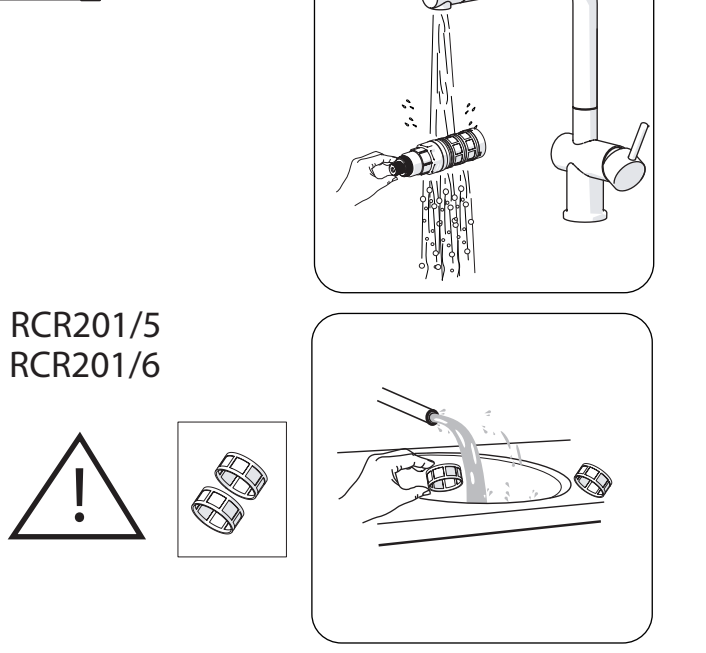
RCR201/56  
RCR201/56A



7



9

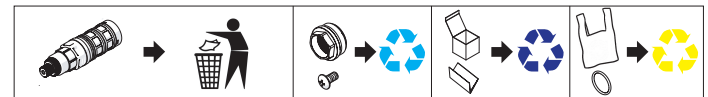


RCR201/5  
RCR201/6

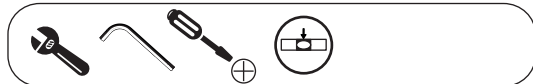


	<b>P</b> P bar	MAX 10 0,5 MIN	5 1	
--	-------------------	-------------------	--------	--

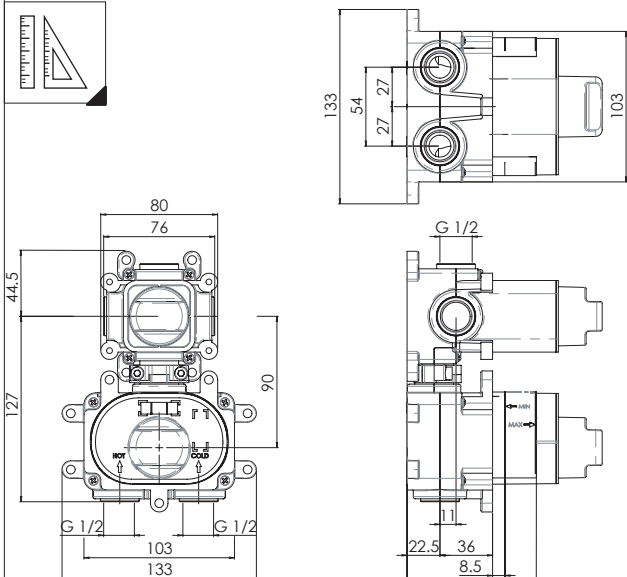
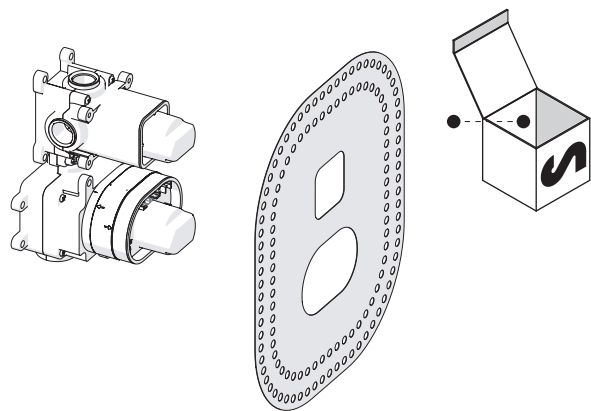
	<b>T</b> T °C	MAX 80	65 45	
--	------------------	--------	----------	--



Not included / Non incluso / Non Inclus / Nie zawarty/ No incluido / Nao incluido



1

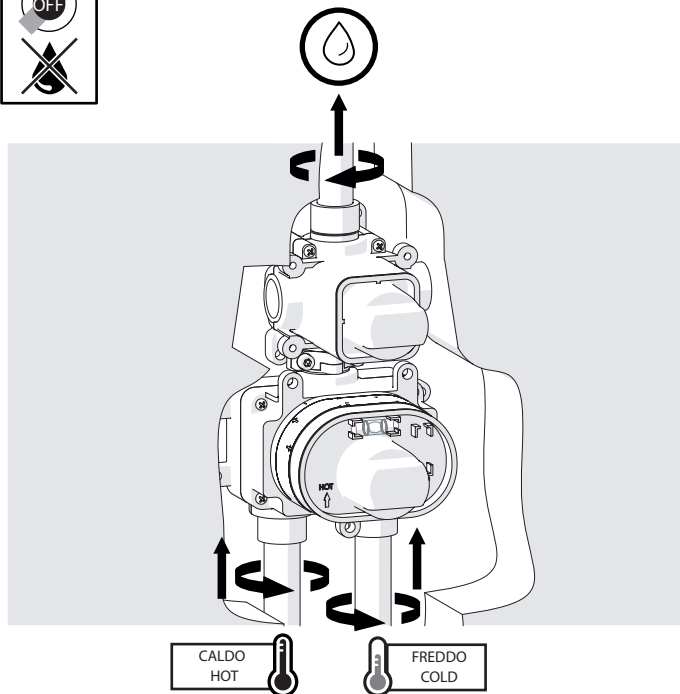


RIFERIMENTO ALLA PIASTRELLA  
REFERENCE TO THE TILE

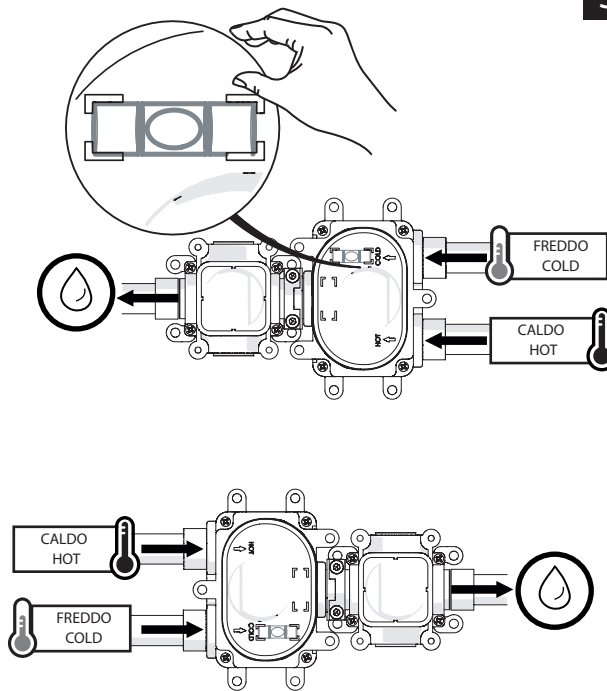
MIN 67  
MAX 89



2



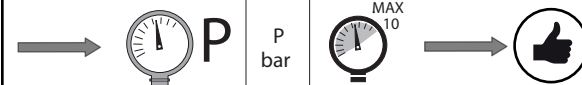
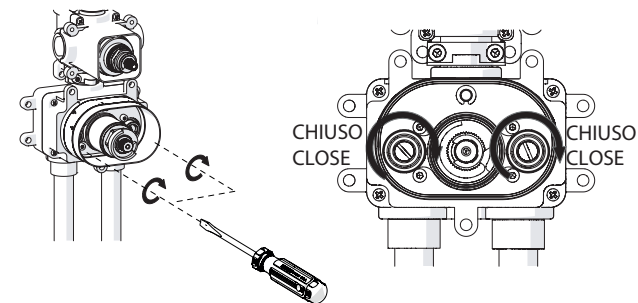
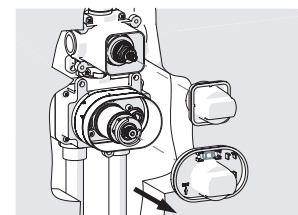
3



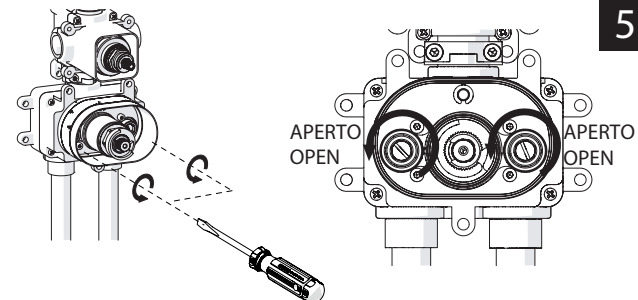
4



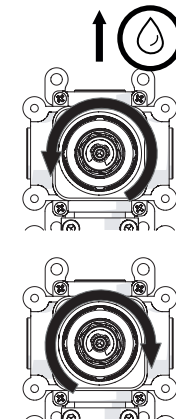
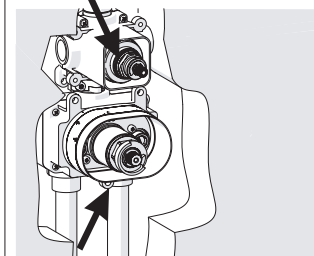
TEST



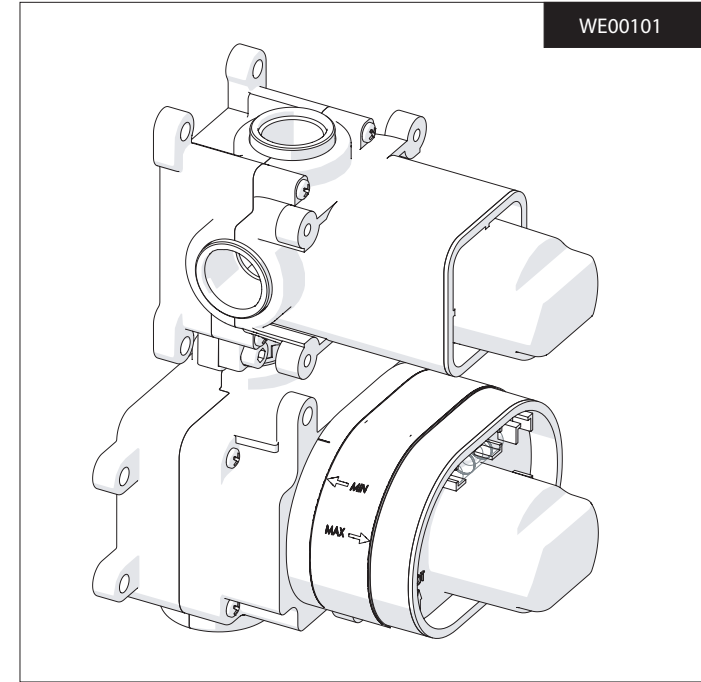
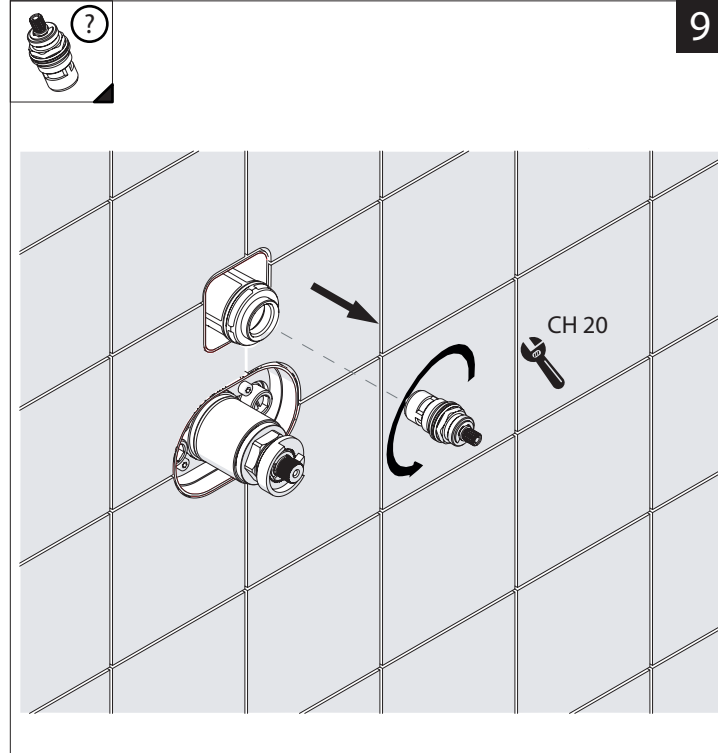
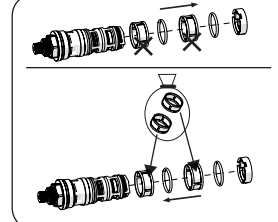
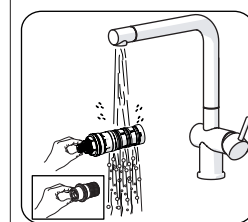
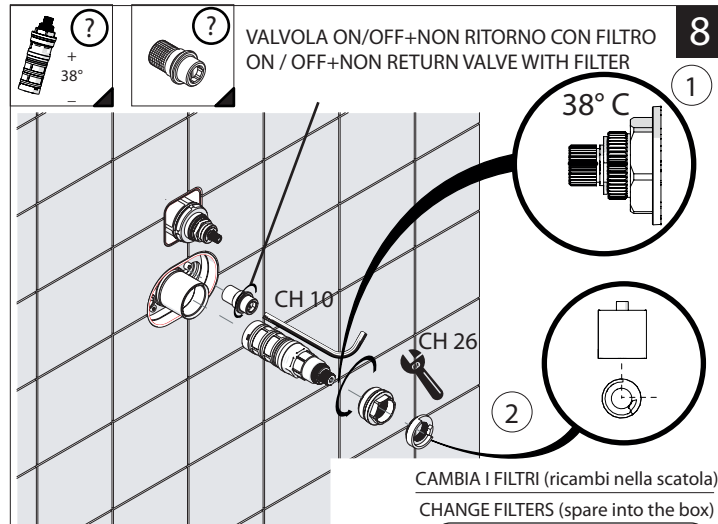
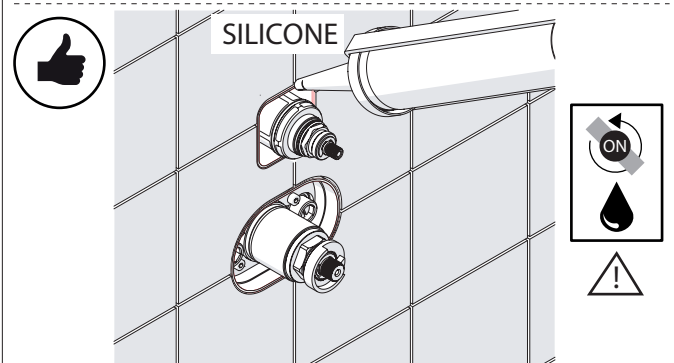
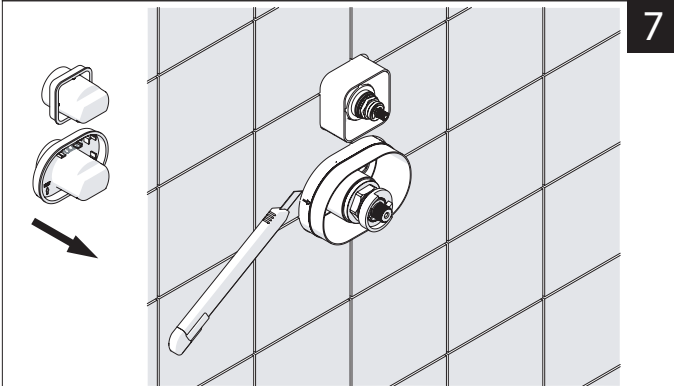
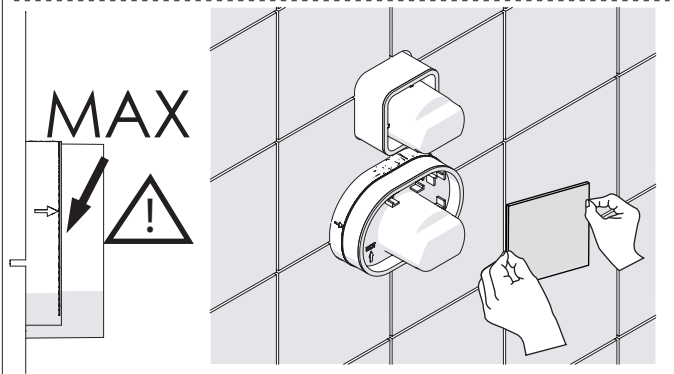
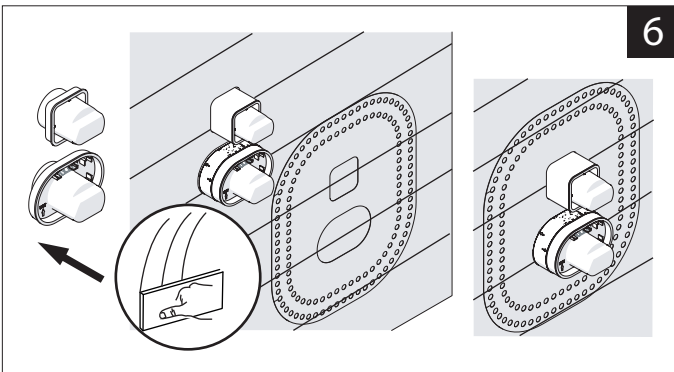
5



VITONE  
HEADWORK



CARTUCCIA TERMOSTATICA  
THERMOSTATIC CARTRIDGE



[www.grupponobili.it](http://www.grupponobili.it)

**PRIMA DI INIZIARE / BEFORE STARTING**



**PULIZIA / CLEANING**

