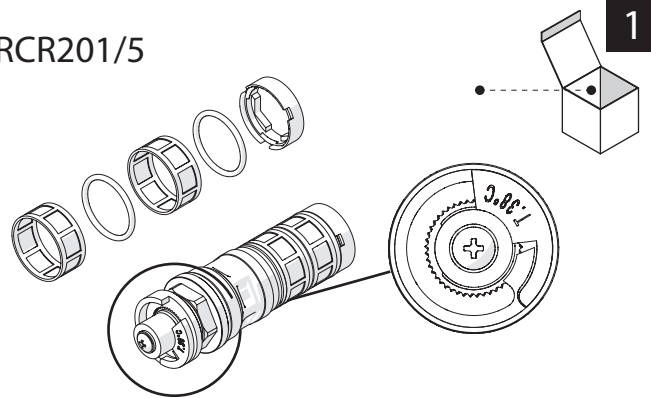
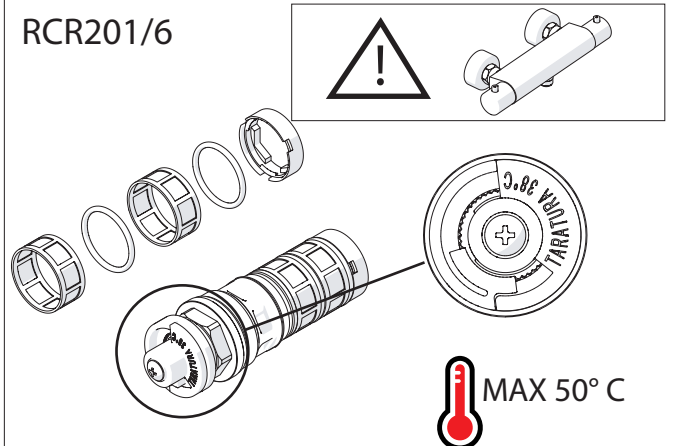


RCR201/5

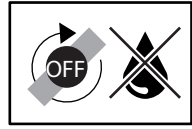
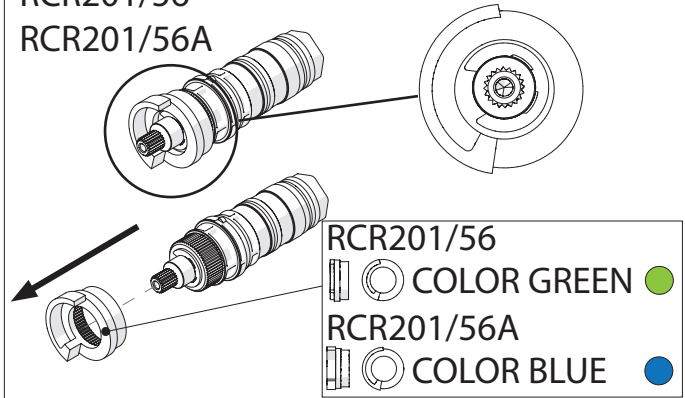


1

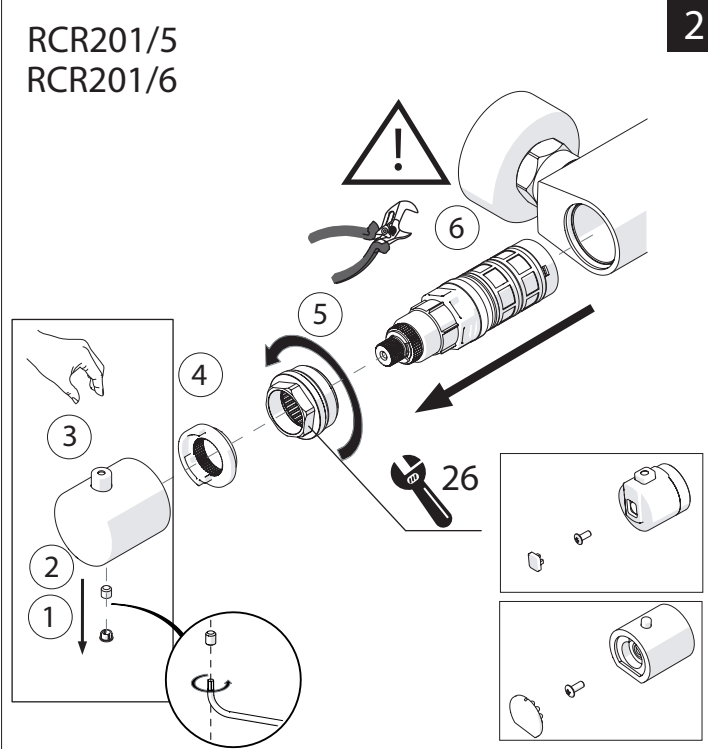
RCR201/6



RCR201/56
RCR201/56A

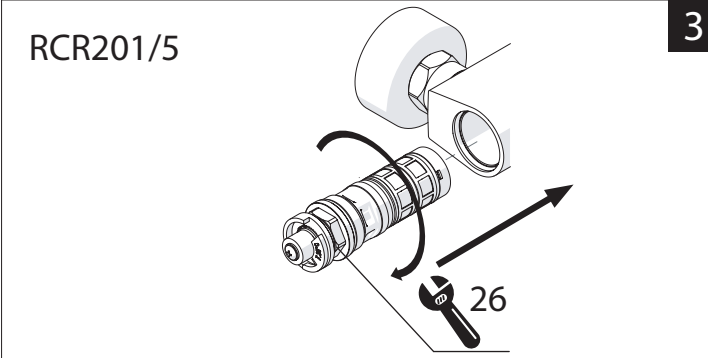


RCR201/5
RCR201/6



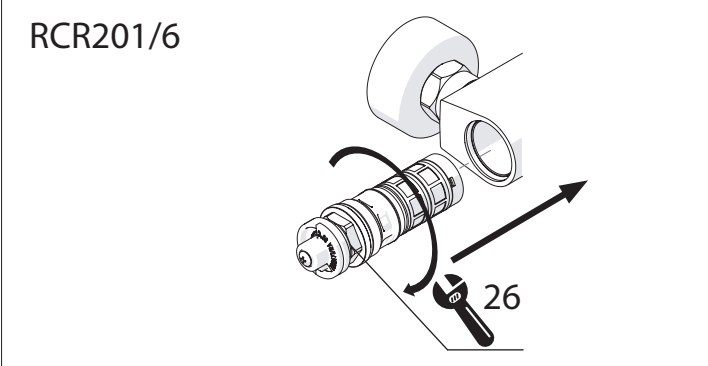
2

RCR201/5

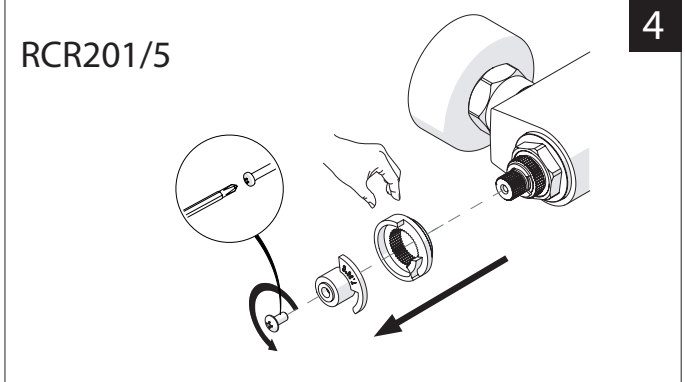


3

RCR201/6

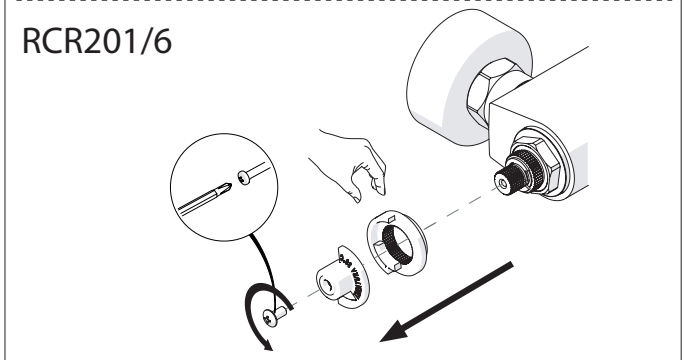


RCR201/5

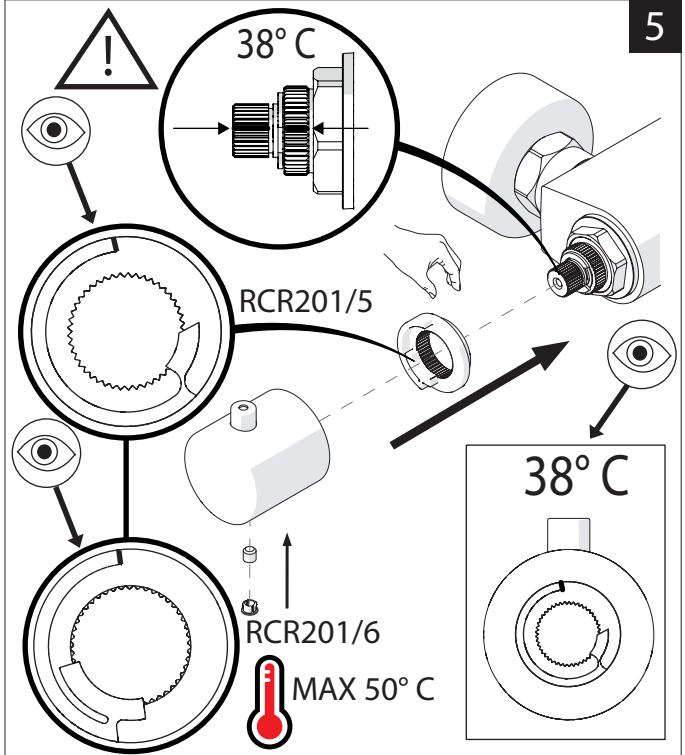


4

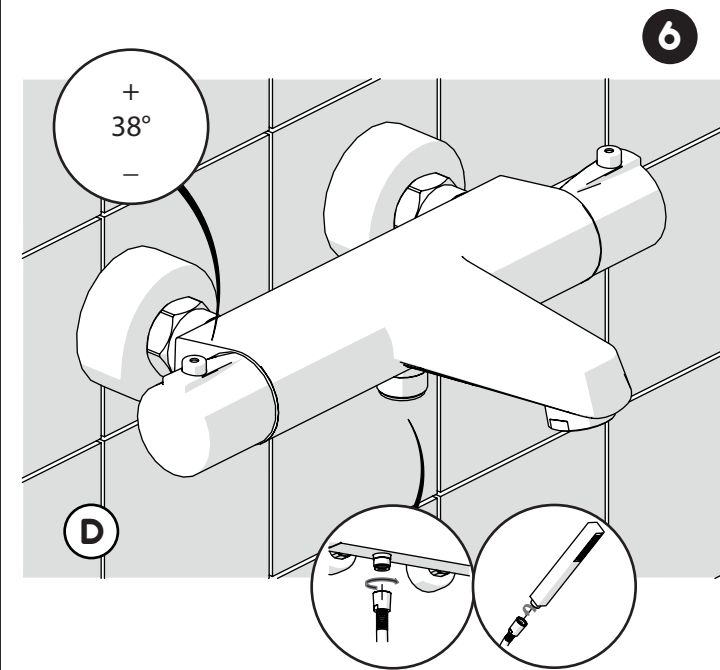
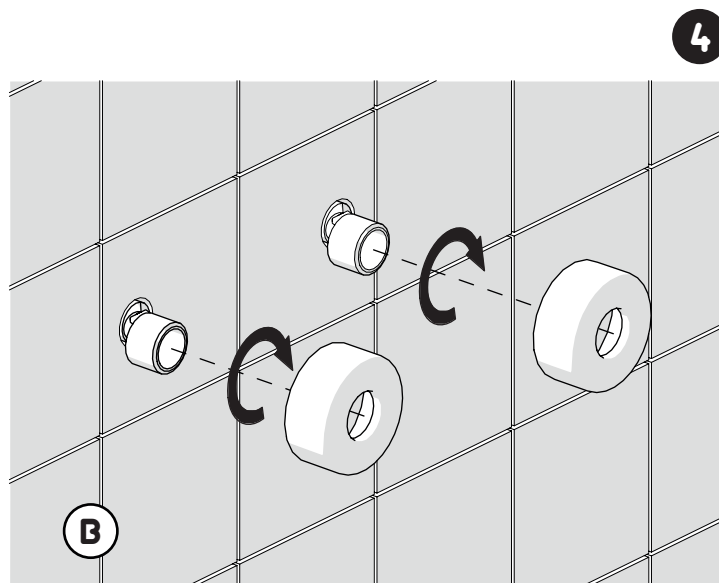
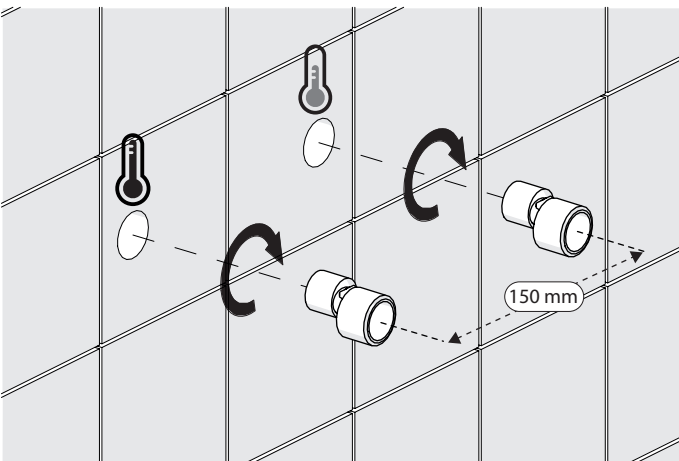
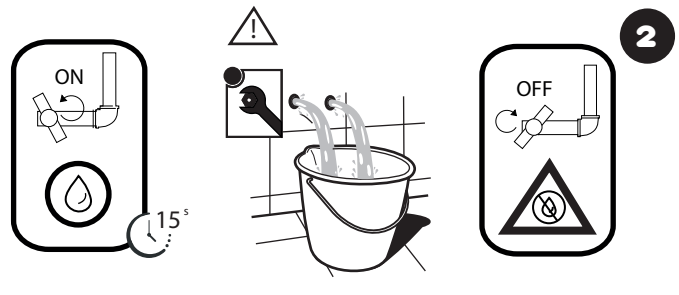
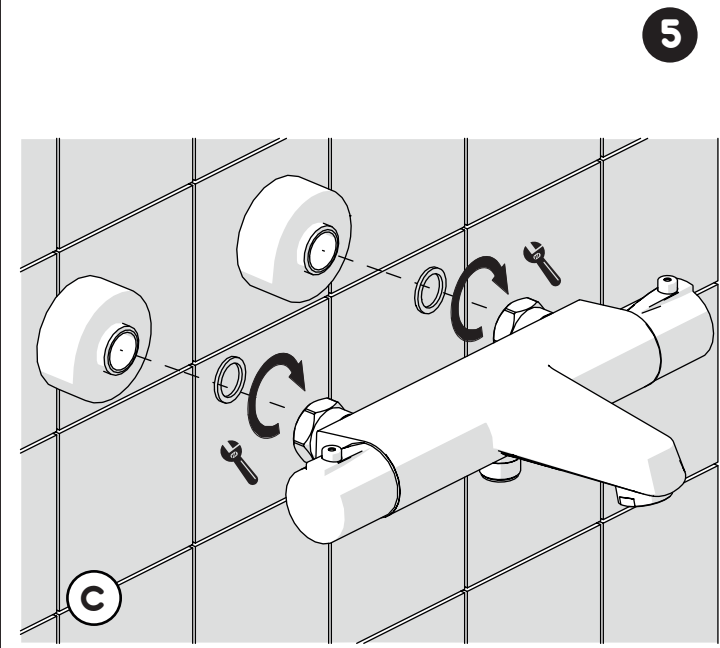
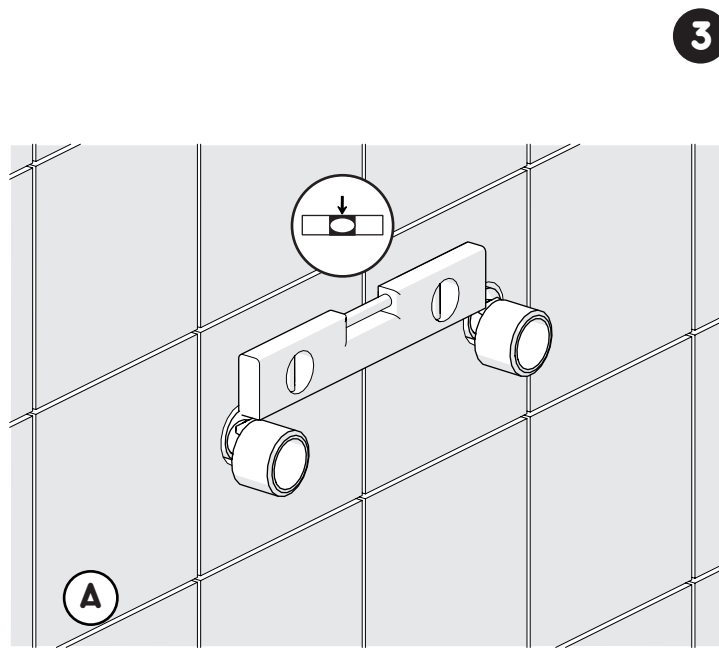
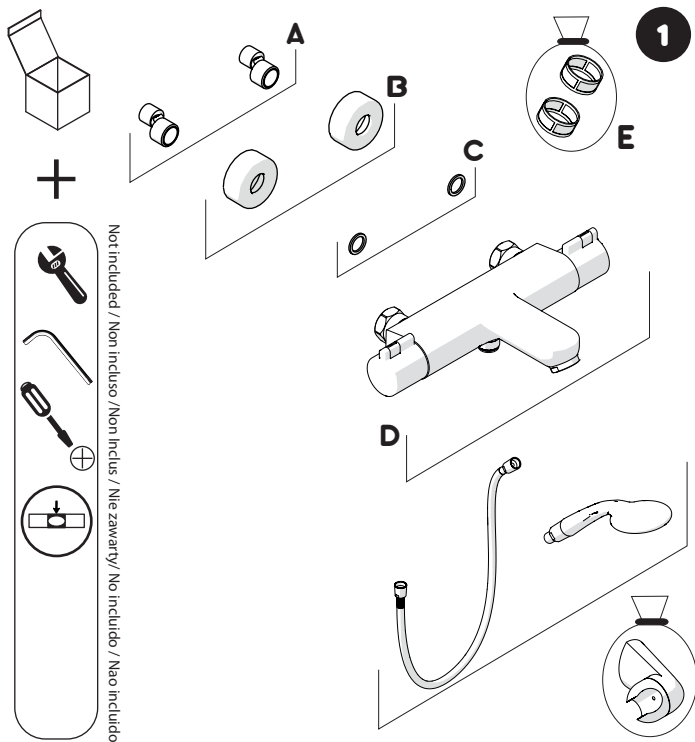
RCR201/6

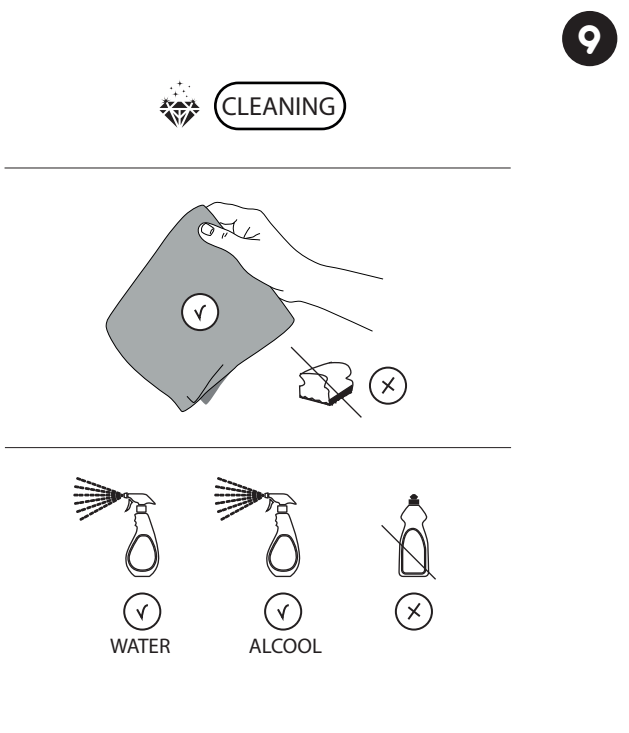
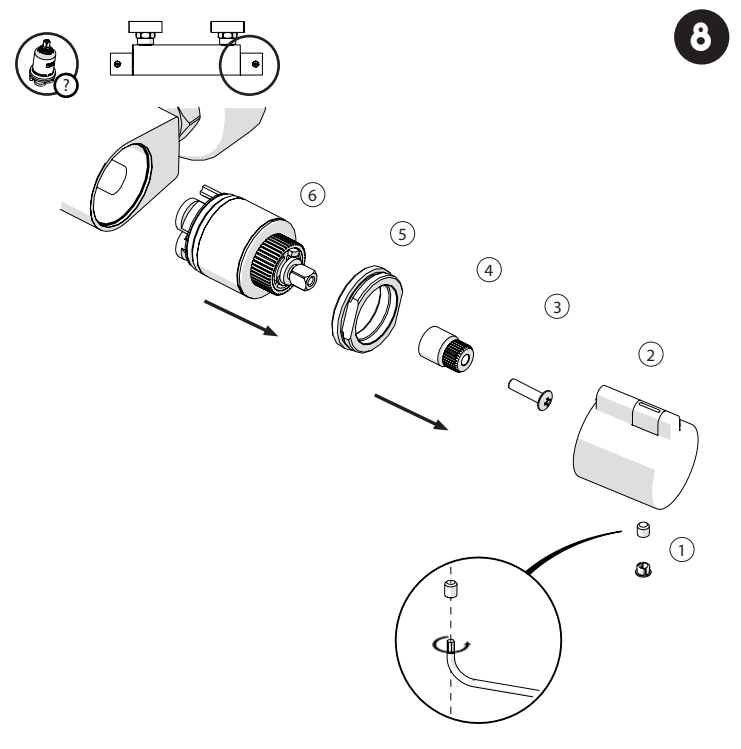
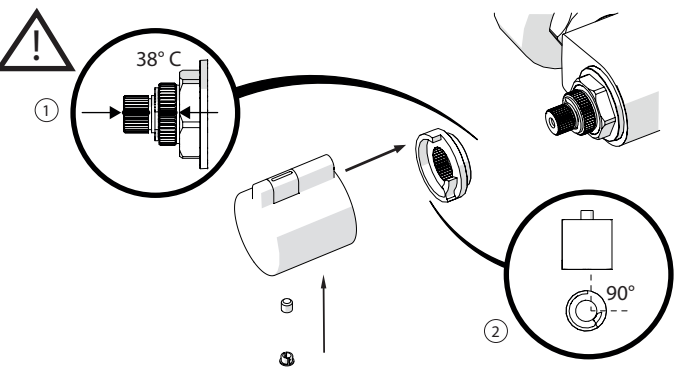
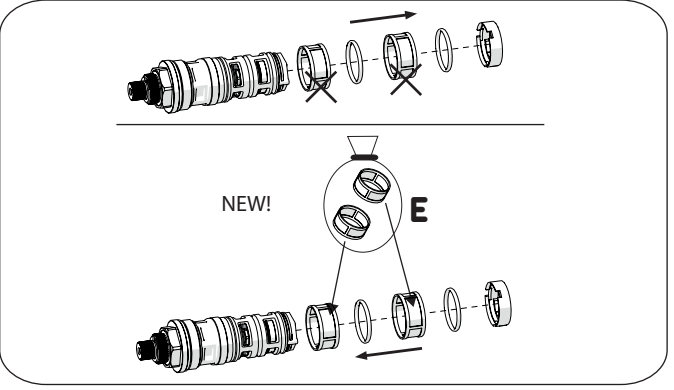
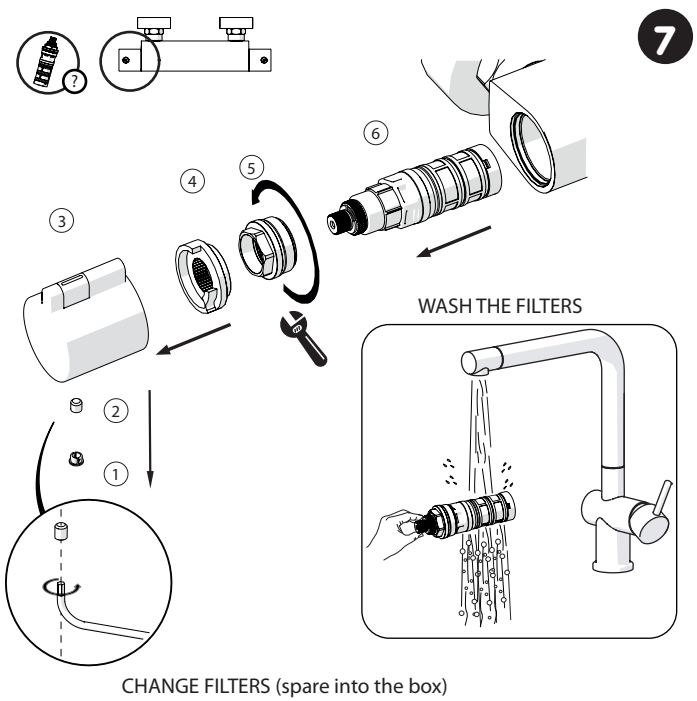


38°C



5





NOBILIS
The Best Technology for Water

AB87010

AB87010/1

www.grupponobili.it

ISTRAB87010#--STD

REV.01/2014

277

40

150±20

60

149

185

35°

G1/2

P bar

MAX 10 L MIN

T °C