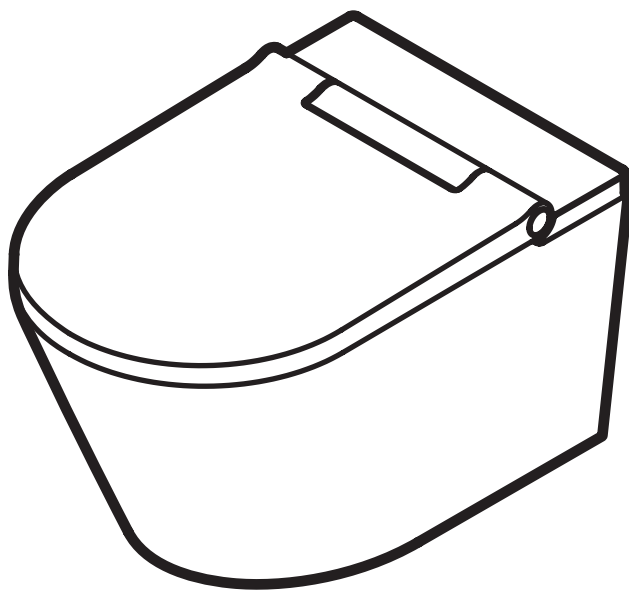


AM · PM

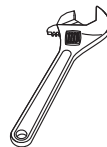
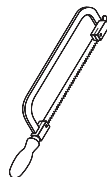
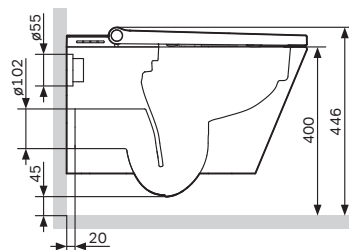
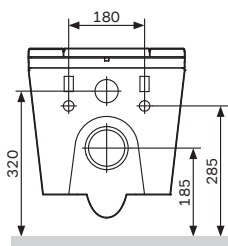
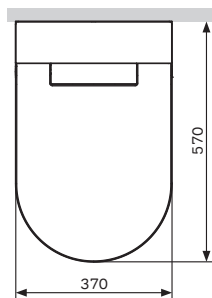
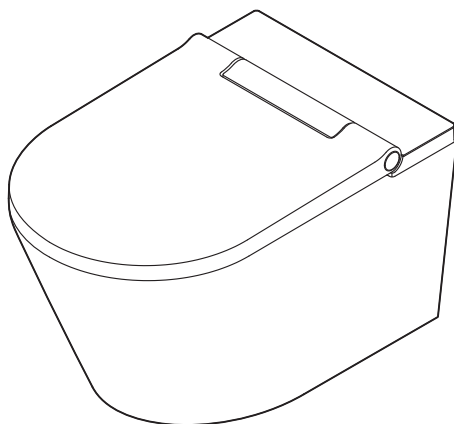
INSPIRE

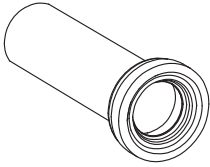


CCC501700SC

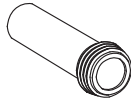
ENG · RUS

## Product size/Размеры унитаза





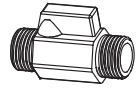
**a**



**b**



**c**



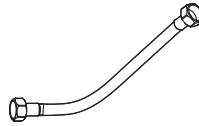
**e**



**f**



**g**



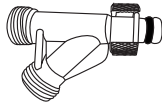
**h**



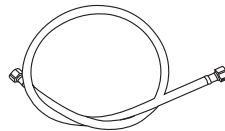
**j**



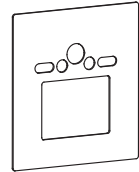
**k**



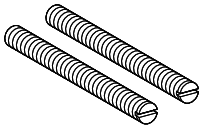
**m**



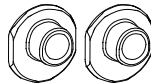
**o**



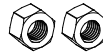
**n**



**p**



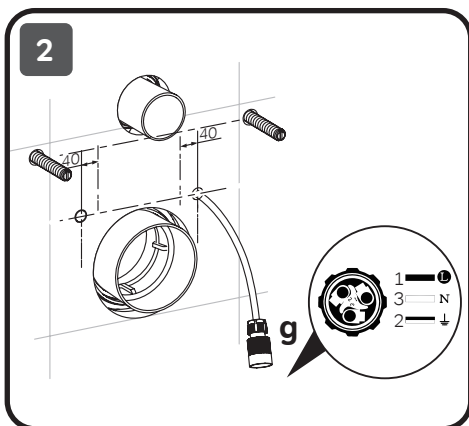
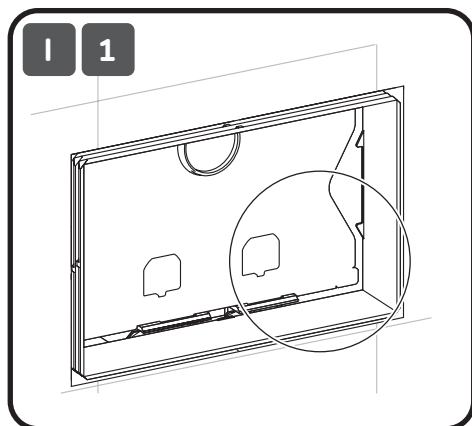
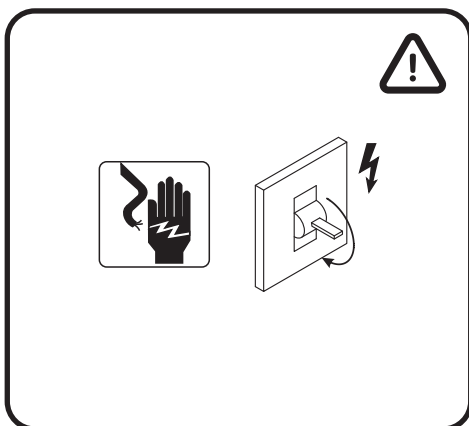
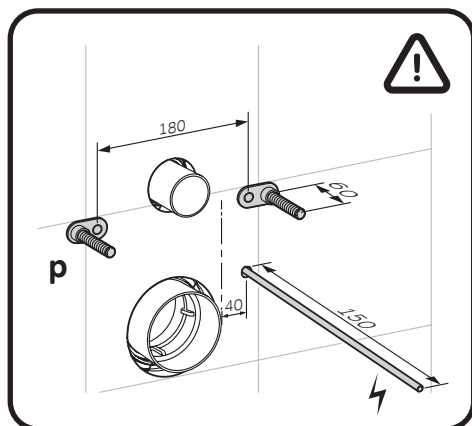
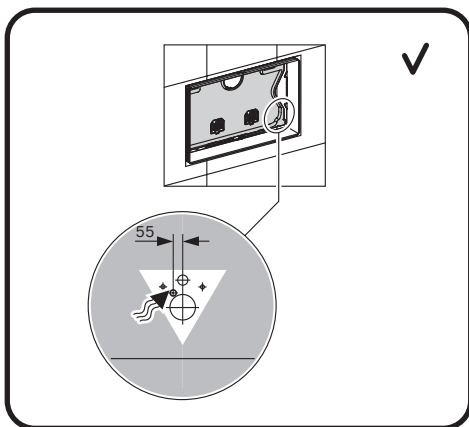
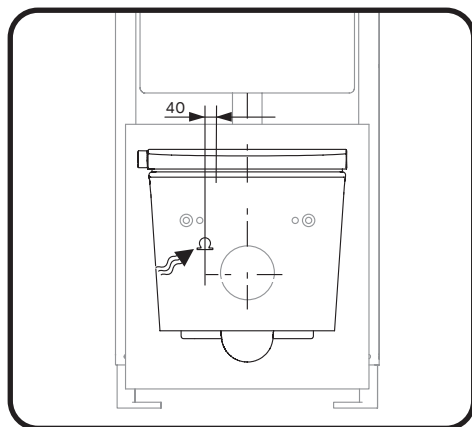
**q**

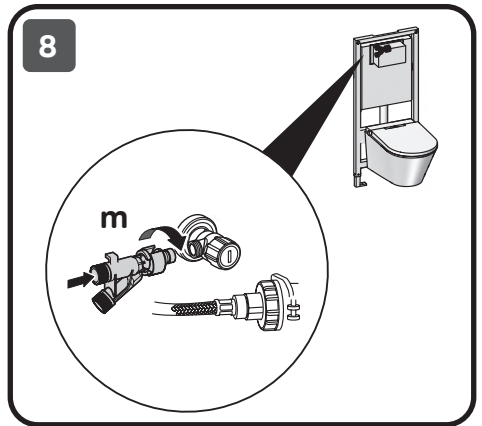
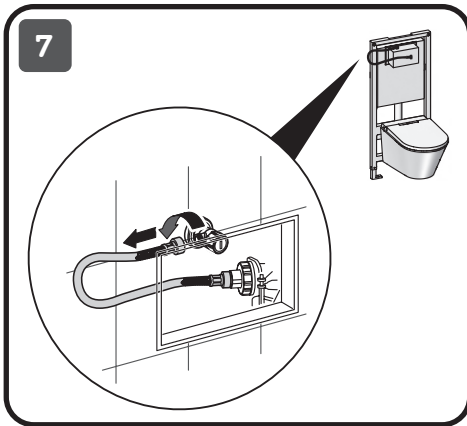
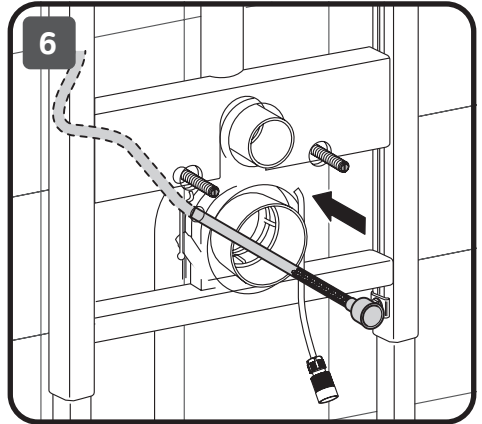
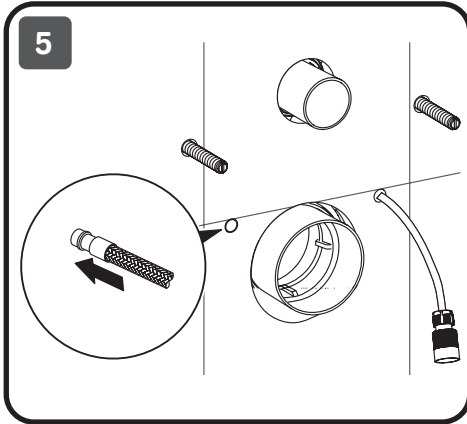
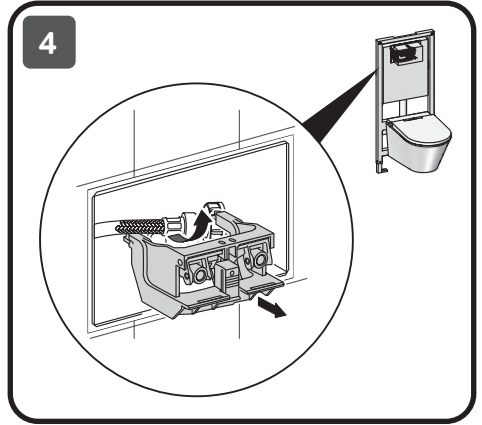
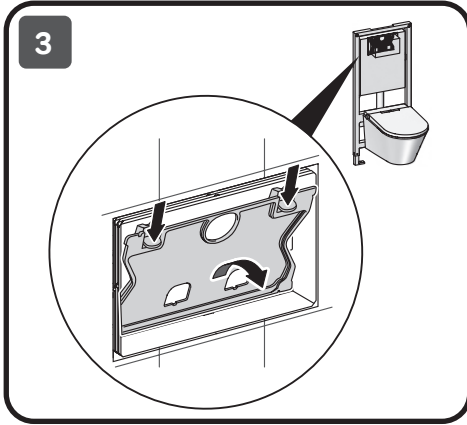


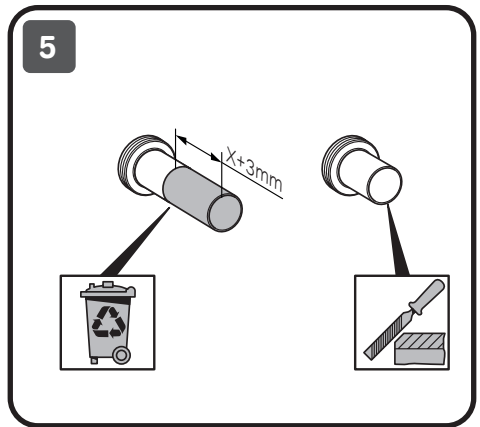
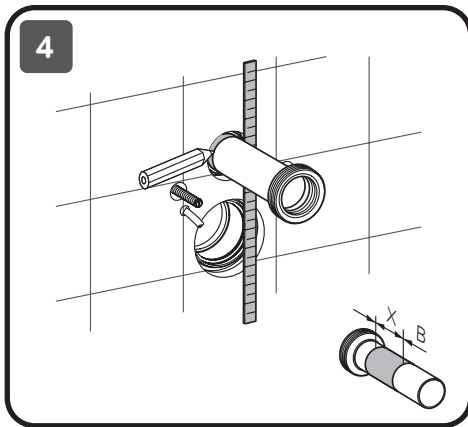
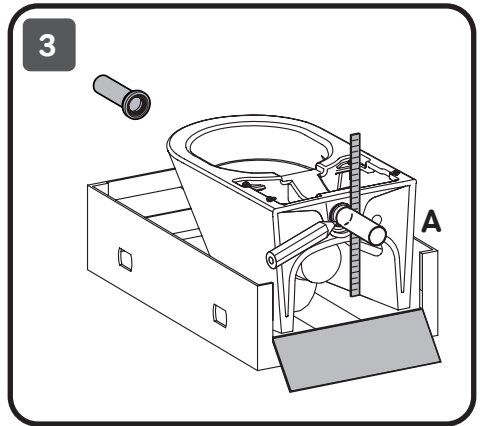
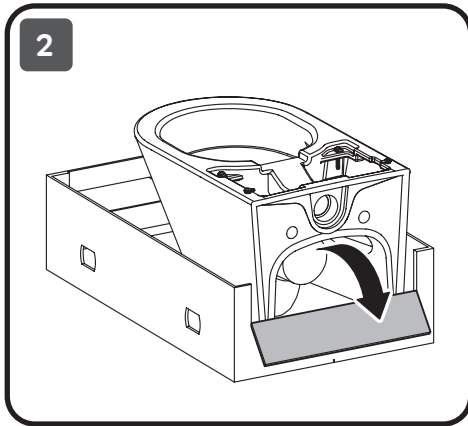
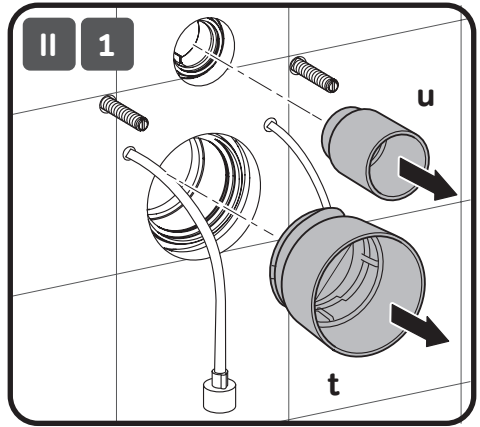
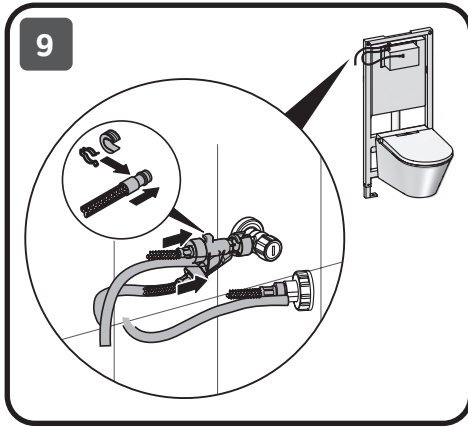
**r**

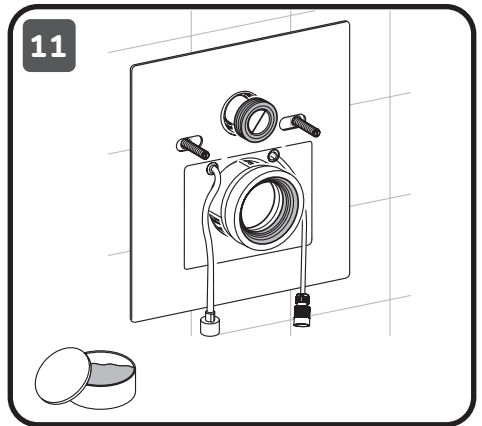
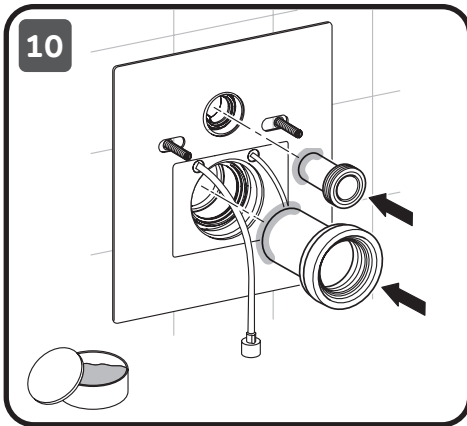
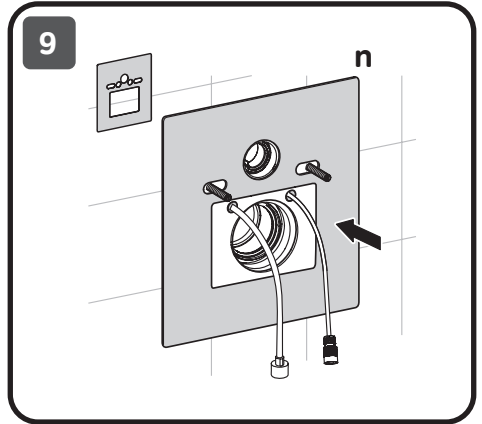
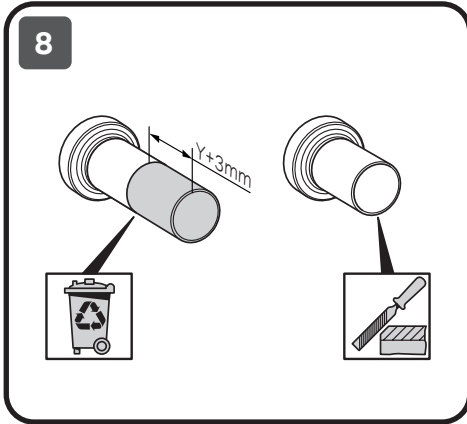
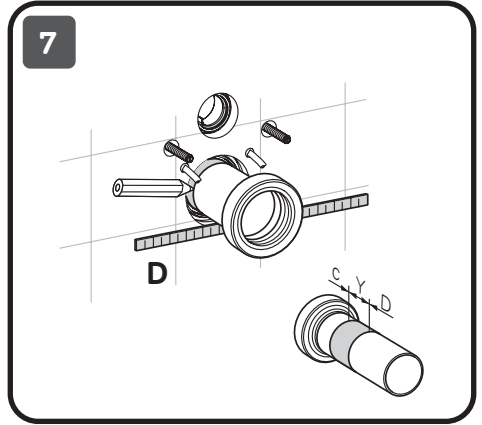
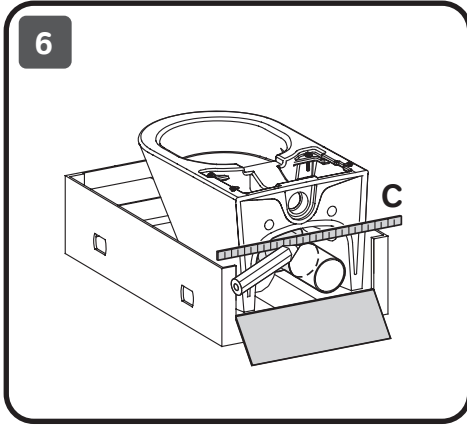


**s**



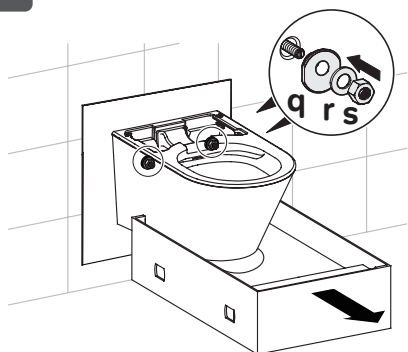




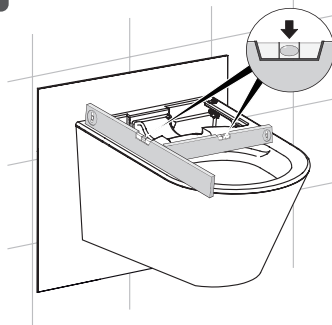




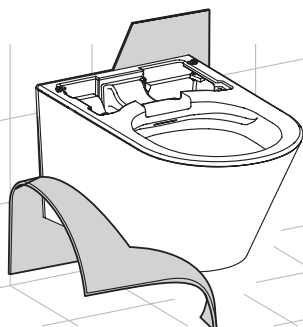
12



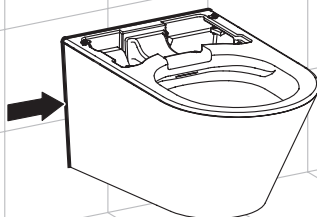
13



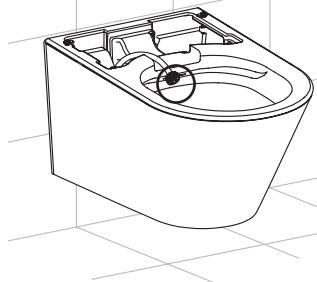
14



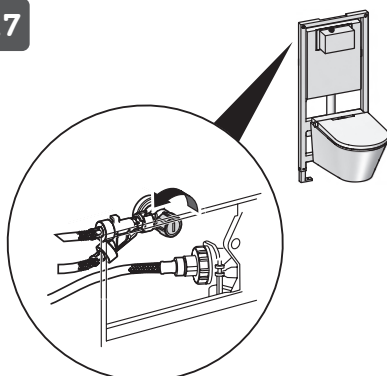
15



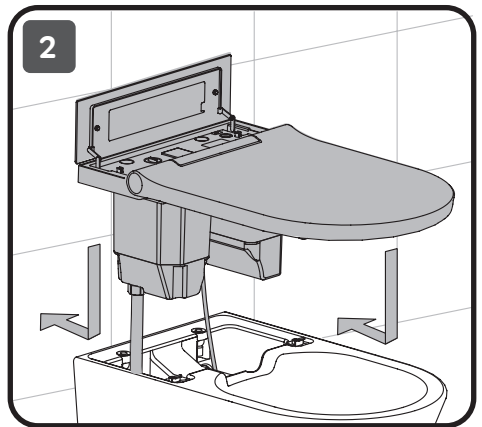
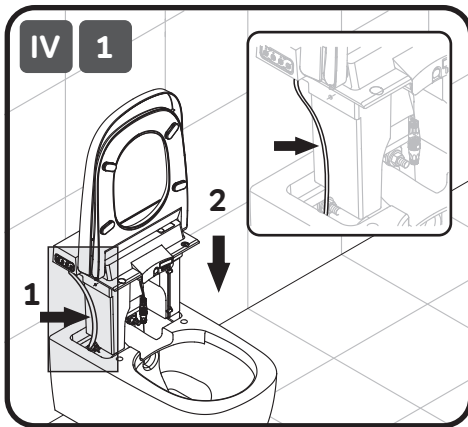
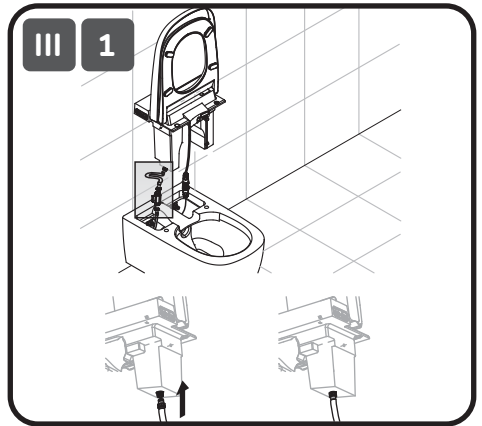
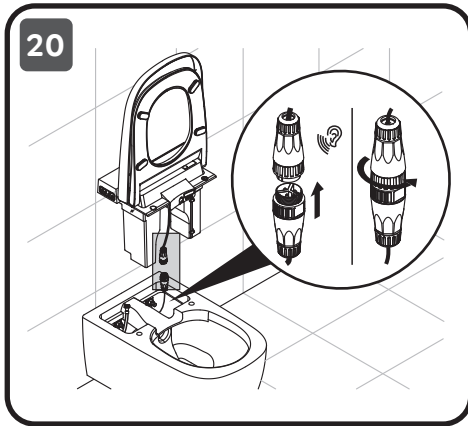
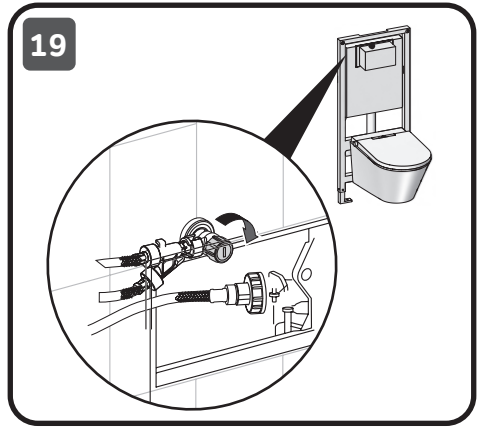
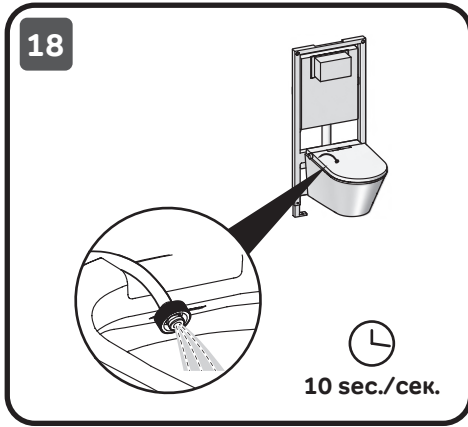
16

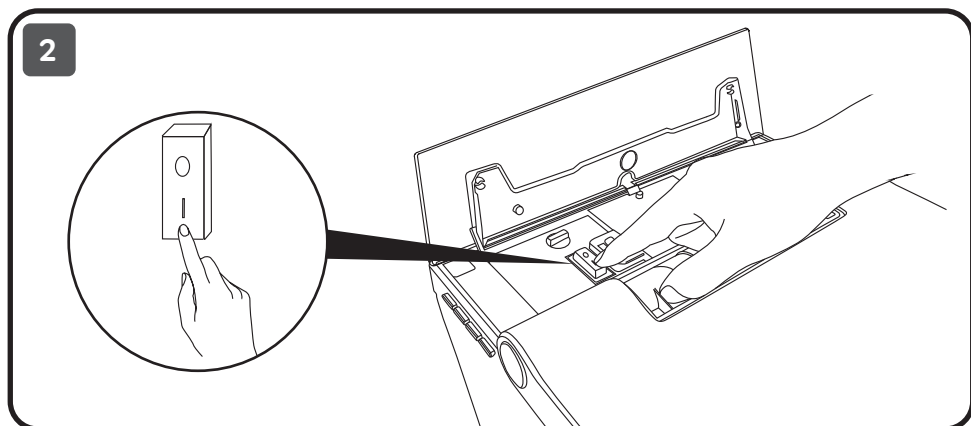
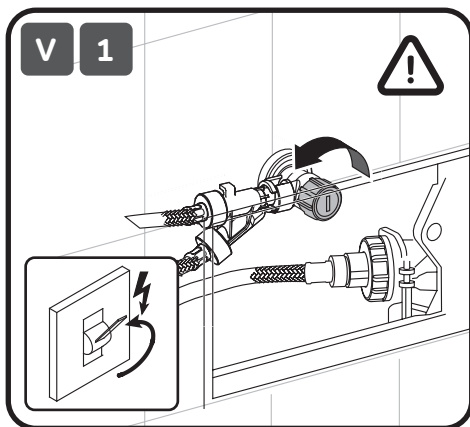
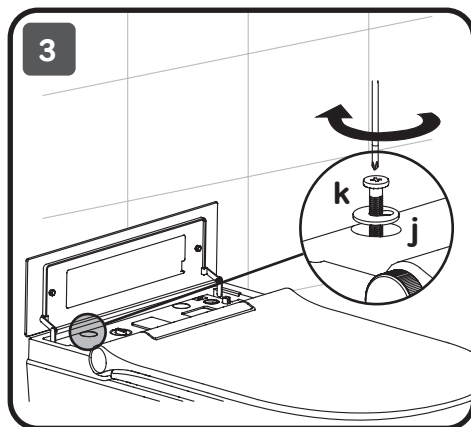


17









Please read the instructions carefully before installation and keep them available for future reference.

Follow all safety precautions and warnings to prevent any personal injury.



**Attention**

Follow all safety precautions and warnings to prevent any personal injury.

**Warning**

Improper handling can result in death or serious injury.

## Designation of the symbols

Symbol	Designation
	Prohibited actions
	Mandatory actions

### Attention!



Never disassemble, repair, or make any technical changes to the product to prevent electric shock.

Do not wash electronic parts and power cord with water or detergents to prevent fire and electric shock.

Do not touch the plug with wet hands to prevent electric shock.

Do not plug other devices into the same outlet.

Please do not bend or warp the nozzle with your hands or tools. This may result in deterioration or damage to the product.

Please do not bend or warp the nozzle with your hands or tools. This may result in deterioration or damage to the product.

Please use only tap or drinking water.

Do not let your child stand on the seat cover or place heavy objects on it. Don't knock on the lid.

Do not damage the power cord or power plug. A defective mains cable shall be replaced by the manufacturer, service or qualified person to avoid risk.

## Safety precautions

### Attention!

Please do not bend, twist, or damage the water supply hose. Otherwise, it may cause leakage.

Stop use of the product, if it is defective. Press power reset button, turn off the power, and close the water supply valve in the following cases:

- excessive heat, smoke;
- abnormal sound and smell;
- the product is damaged or cracked;
- the product is blocked.

Using a defective product may result in electric shock, personal injury, fire or leakage in the room.

Do not use any polishes, gasoline, detergents, hard brushes or other aggressive cleaning agents to clean the product lid or other plastic parts. This may cause a chemical reaction or crack.

Do not move the seat or lid. The product may fall and result in personal injury.

During a thunderstorm, it is strongly recommended to cut the device off.

During installation, repair, disassembly and cleaning of the product, cut off power and water supply.

This product should be used at voltage 220V-240V, 50/60Hz, and current not less than 10A. The mains plug shall be provided with an earthing switch or protection against current leakage, or a similar high-sensitivity switch (normal current sensitivity up to 10mA).

Provide ventilation equipment in the bathroom to prevent moisture. Do not install in rooms with high humidity or risk of wetting the product. Otherwise, it may result in electric shock or fire.

In case of any water leakage, close the water supply valve and call for service.

Insert the seat lid into the quick-release console on the front. Gently pull the seat lid and make sure the lid is installed securely. Following the instructions will help prevent injury and ensure proper operation of the product.

Disconnect power to the product before removing the lid.



### Mandatory operations

### Attention!

### Mandatory operations

If you are not going to use the product for a long time, please turn off the water supply valve, drain the water and turn off the power. Before using the product after a break, drain any stagnant water.

#### Mandatory use of PTR

The outlet shall be installed at least 0,5 m above the floor and away from the bathtub and shower to prevent leaks.

Disconnect power before cleaning and do not expose it to direct water.

Do not expose the product to direct sunlight.

Keep room temperature to prevent any damage due to freezing.

To prevent burns to users, the seat temperature will automatically decrease after 15 minutes of use.

Make sure that the power is turned off and that the water valve is shut off before removing the seat lid.

Pay special attention, if the product is used by a person with heart disease.

The product can be used by children from 8 years of age and older, persons with limited physical, tactile and mental abilities or with limited experience and knowledge, if they have been instructed on using the device in safe ways and are aware of the possible risks.

Do not let children play with the device

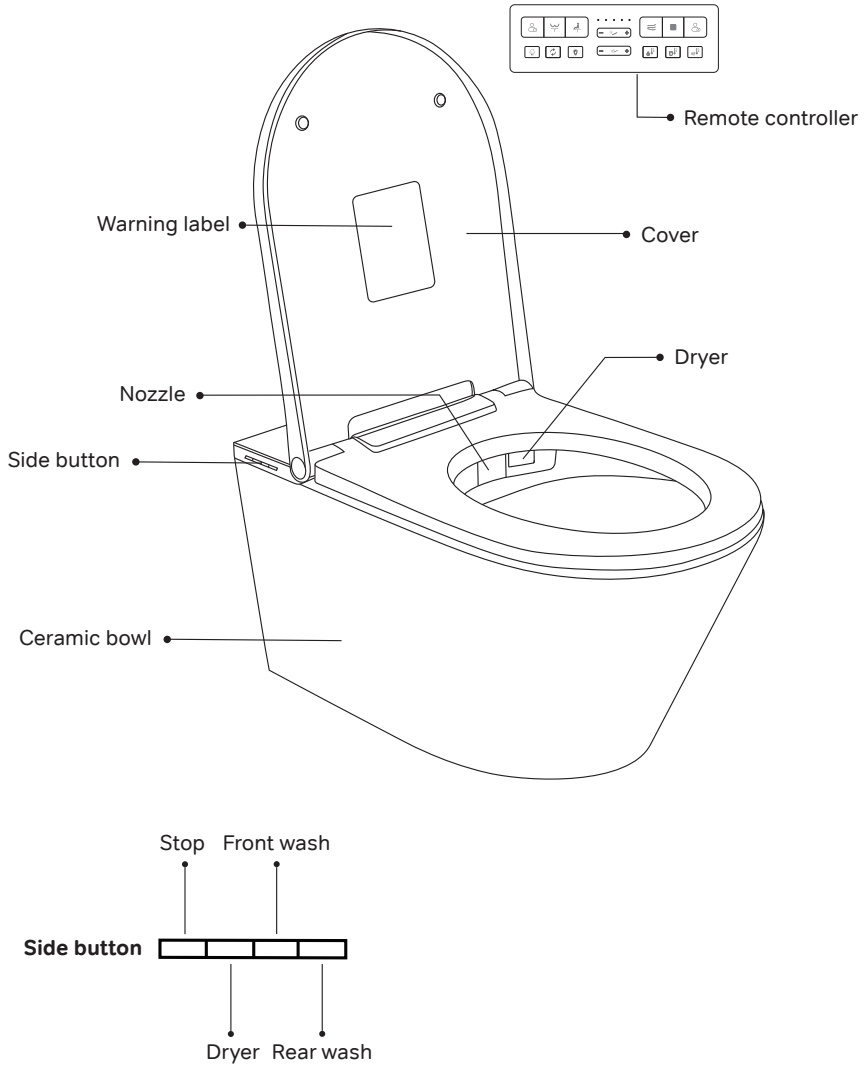
Avoid any cleaning and care done by the children without supervision.

A defective network cable shall be replaced by the manufacturer, customer service, or qualified person to avoid risk.

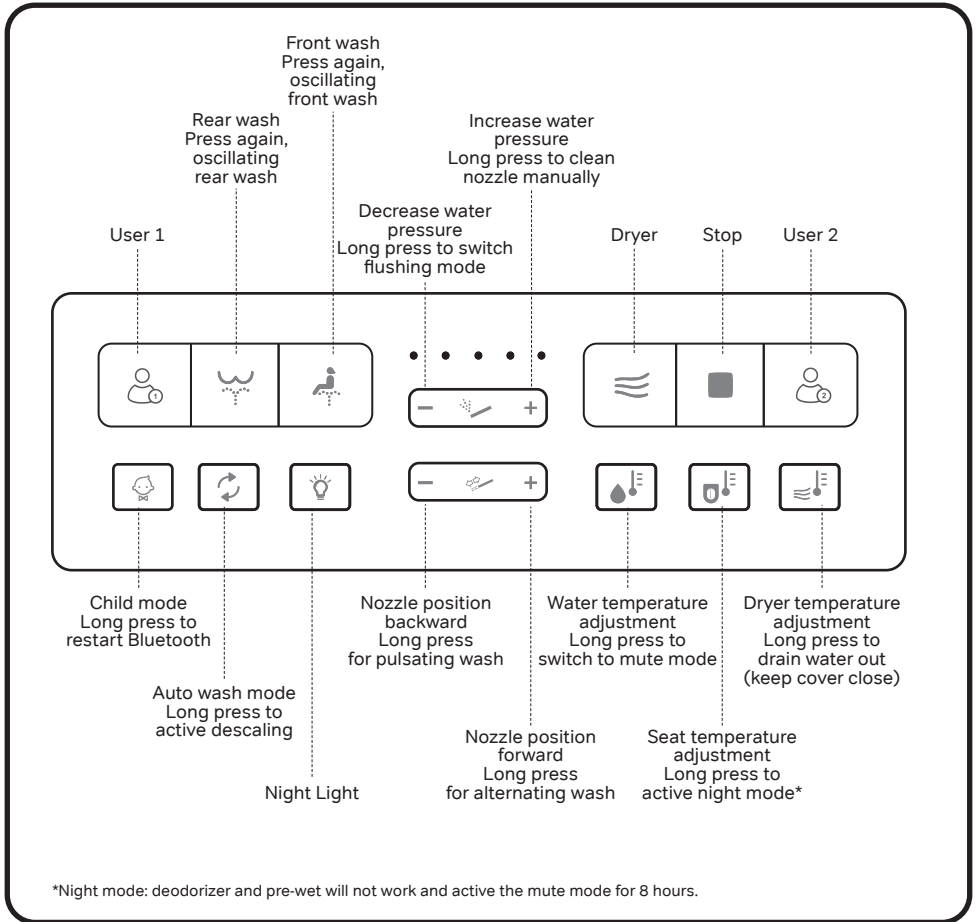
## Specifications

Power voltage		220-240V~ 50-60Hz 1350W
Water supply	Water input	Connect to the pipe directly
	Water pressure	0.08MPa - 1MPa (0.8kgf/cm <sup>2</sup> -10kgf/cm <sup>2</sup> )
Wash device	Posterior wash water volume	0.4L/min-0.8L/min
	Female wash water volume	0.4L/min-0.8L/min
	Type of water heater	Instantaneous type
	Temperature	Room temp./low 33°C/medium 37°C/ high 40°C
	Heating power	Maximum 1600W
	Safety device	Floating switch / Temperature fuse
	Backflow prevention device	Air gap (EN1717/ EN13077/ Type AB)
Seat heating device	Temperature	Room temp./low 30°C/medium 35°C/ high 40°C
	Heating power	24W
	Safety device	Temperature fuse
Dryer device	Temperature	Room temp./low 35°C/medium 45°C/ high 55°C
	Heating power	220W
	Safety device	Temperature fuse
Power cord length		0.25m
Net weight		32kg

## Description of parts



# Remote controller





	<p><b>Rear washing/Oscillating washing</b>          While sitting, press to activate rear washing for 2 minutes.          While washing is activated, press again to initiate oscillating movement of the nozzle.          This moves the nozzle back and forth for more thorough cleansing effect.</p>
	<p><b>Front washing/Oscillating washing</b>          While sitting, press to activate front washing for 2 minutes.          While washing is activated, press again to initiate oscillating movement of the nozzle.          This moves the nozzle back and forth for more thorough cleansing effect.</p>
	<p><b>Dryer</b>          While sitting, press to activate dryer to dry wet parts after washing.          Activates for 5 minutes before automatically stopping. If you wish to stop before 5 minutes is over, press stop or simply close the cover.</p>
	<p><b>Stop</b>          While sitting, press to stop any ongoing function.</p>
	<p><b>Light</b>          Long press to change night light mode.</p>
	<p><b>Dryer temperature</b>          Press to adjust the dryer temperature as preferred.          There are 4 dryer temperature levels available.          The previous user's setting applies when no adjustment is made by the current user.          Dryer temperature is adjustable anytime during activation.          Long press to drain out water in the water tank. (Keep the cover close).</p>
	<p><b>Nozzle position</b>          Press to set the level adjustment buttons to nozzle position mode.          Press “-” and “+” to adjust the nozzle position as preferred.          The nozzle can be ejected in 5 different positions.          The previous user's setting applies when no adjustment is made by current user.          Nozzle position is adjustable anytime during activation.          Long press “-” for pulsating washing          Long press “+” for warm and cold water washing.</p>
	<p><b>Wash pressure</b>          Press to adjust the water pressure as preferred.          There are 3 water pressure level is available.          The previous user's setting applies when no adjustment made by the current user. Water pressure is adjustable anytime during activation.          Long press “-” to switch flushing mode. (Optional)          Default flush mode is flush when close the cover;          after switch flush mode, when the dryer starts working, the toilet will flush at the same time.          Long press “+”to clean nozzle manually.</p>

## Operation



### **Water temperature / Switch mute mode.**

Press to adjust the water temperature as preferred.  
There are 4 water temperature level available.  
The previous user's setting applies when no adjustment is made by the current user.  
Water temperature is adjustable anytime during activation.  
Long press to switch mute mode.  
There will be no any sounds of the toilet when "Mute mode" is ON.



### **Seat temperature / Night mode**

Press to adjust the seat temperature as preferred.  
There are 4 seat temperature levels available.  
The previous user's setting applies when no adjustment is made by current user.  
Long press to active night mode.  
Night mode means deodorizer and pre-wet will not work and active the mute mode for 8 hours.



### **Child auto wash program**

Press to active "Child wash auto program"  
Rear wash for 15s – rear oscillating wash for 15s – drying for 1 minute  
Press "Front wash" first , then press "Auto" to achieve "Child front washprogram"  
Front wash for 15s – Front oscillating wash for 15s – drying for 1 minute  
Water temperature, water pressure and dryer temperature in low setting by default  
Long press to restart Bluetooth. (Optional)  
When the toilet can not be found in app, can restart bluetooth to reconnect.



### **Auto wash program**

Press to achive "Rear auto wash program"  
Rear oscillating wash for 60s - drying for 3 minutes  
Press "Front wash" first , then press " Auto" to achieve "Front wash program"  
Front oscillating wash for 60s – drying for 3 minute  
The previous user's setting applies when no adjustment is made by the current user for water temperature, water pressure and dryer temperature.  
Long press to active descaling.



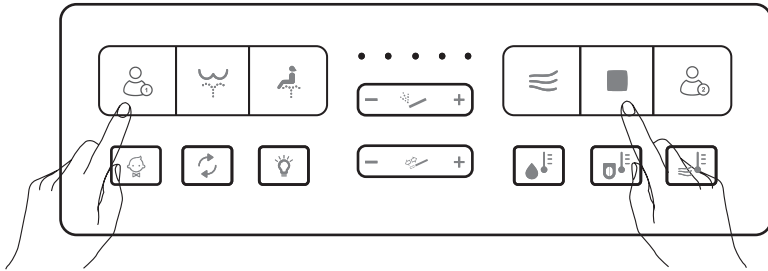
Long press the "User 1" button after using the function,  
the remote control will record all the current settings of the toilet functions.  
(Include Water temperature, water pressure, dryer temperature, seat temperature,  
position of spray nozzle.)  
Press "User 1" shortly to switch the function currently used to the setting  
stored by User 1.



Long press the "User 2" button after using the function,  
the remote control will record all the current settings of the toilet functions.  
(Include Water temperature, water pressure, dryer temperature, seat temperature,  
position of spray nozzle.)  
Press "User 2" shortly to switch the function currently used to the setting  
stored by User 2.

### Function confirmation

1. Please check each function according to the manual.
2. Switch on the power and open the cover, the water will be heated as set temperature and the warm air will work when you press the dry key.
3. The remote has been matched with the toilet in the factory. If you change a remote, then need to match code again. (Press "User 1 + Stop" on the remote at the same time until the light on the remote fresh, then switch on the power of the toilet and wait for 10 seconds then code match finish).

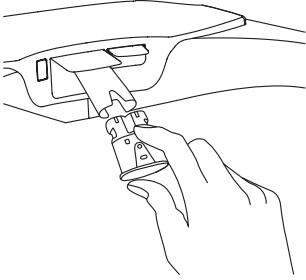


## Maintenance

### Seat Cleaning

**Important:** Unplug the product from the power source before cleaning or removing the seat.

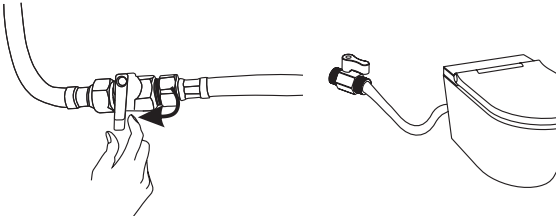
Use a soft, damp cloth and mild cleanser to wipe down the seat. DO NOT scrub or use harsh, abrasive products to clean the product. DO NOT use thinner, benzene, acidic chemicals, chloride, or hydrochloric acid detergent. This may result in corrosion to the metal parts or discoloration or scratches to the bidet body.



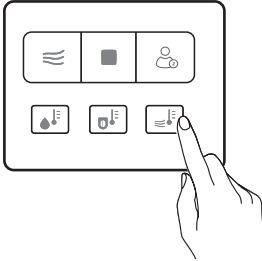
### Nozzle and sprayer clean

1. Please clean the nozzle frequently. Long press water pressure “+”, the nozzle will come out, remove spray head. Then clean it with tooth brush or soft cloth.
2. Please do not over pull the nozzle. Press the “stop” button after finished clean so that the nozzle will go back automatically.

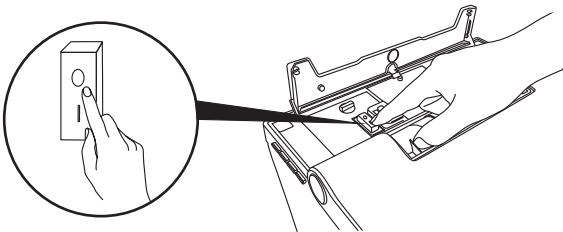
### Long-time non use



1. Close the angle valve to stop the water supply.

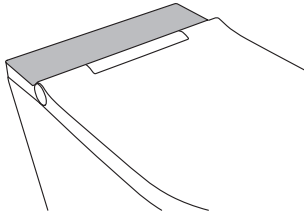


2. Long press the “Dryer Temperature” button to drain out water in the water tank.

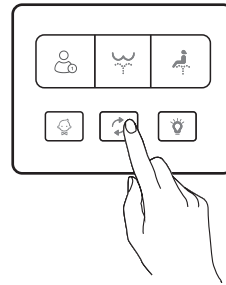


3. Press the power button to stop the power supply.

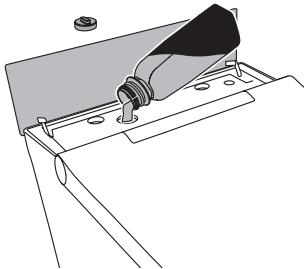
## Descaling



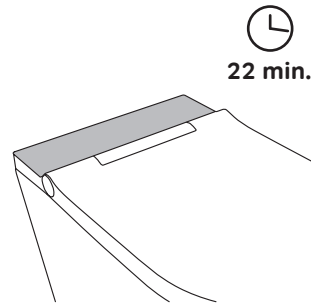
1. Open the glass cover.



2. Long press to active descaling program, the nozzle will self-clean during the drainage process, when water drained out, toilet will start beep to remind to add descaling agent.



3. Open the rubber cover, add the descaling agent into the toilet. The toilet will keep beeping during adding, stop add when hear a long beep sound.



4. Put the rubber cover back and close the glass cover, the toilet will start the descaling program. During the descaling process, the toilet will cannot be used till process complete. If there is no power during the process, the toilet will continue the descaling process after reboot. The whole descaling process will lasts for 22 minutes. There will be beep sound again when descaling process completed.

## Troubleshooting

If the bidet appears to be operating abnormally, please review the trouble shooting tips before contact our service center as most issues are easily resolved with a few simple steps. If you are unable to resolve the issue after checking the following items, please contact us then.

### Check before continuing:

- Make sure the bidet is connected to power and outlet is working properly.
- Make sure the Remote Control has fresh batteries and they are installed correctly (2xAAA).
- Make sure Mesh Filter is clean and free of build up or debris.


After checking item above, refer to the following troubleshooting chart for additional solutions.

Problem	Possible Causes	Possible Solutions
Water flows before or after use	Water coming from the nozzles	<ol style="list-style-type: none"> <li>1. The water that comes out between the nozzle before or after wash is the self-clean and is not a malfunction.</li> <li>2. Residual water may drip into the bowl for several seconds after a wash or self-clean and is not a malfunction.</li> </ol>
Water leaks from areas other than the nozzles	<ol style="list-style-type: none"> <li>1. Water leaking from T-valve.</li> <li>2. Water leaking from the bidet hose connection.</li> </ol>	<ol style="list-style-type: none"> <li>1. Make sure that the rubber washer is inserted correctly and firmly tighten the connector.</li> <li>2. Make sure the bidet hose is correctly connected and tight.</li> </ol>
App cannot find or connect to the toilet by Bluetooth	Bluetooth got problem.	Long press to restart Bluetooth.
The bidet is not working	<ol style="list-style-type: none"> <li>1. Bidet not plugged in</li> <li>2. No power to bidet.</li> <li>3. There is power, but nothing happens when try to use.</li> </ol>	<ol style="list-style-type: none"> <li>1. Make sure the bidet is plugged in.</li> <li>2. Check the power.</li> </ol>
Products shuts off during use	<ol style="list-style-type: none"> <li>1. Washing time exceeded setting time.</li> <li>2. Power failure.</li> </ol>	<ol style="list-style-type: none"> <li>1. Press the wash button to extend the time.</li> <li>2. Check the power.</li> </ol>
Lower water flow or spray pressure	<ol style="list-style-type: none"> <li>1. Clogged filter.</li> <li>2. Water supply valve not opened fully.</li> <li>3. Nozzle dirty.</li> <li>4. Pressure settings.</li> </ol>	<ol style="list-style-type: none"> <li>1. Remove, clean and reinstall.</li> <li>2. Check water supply valve at wall to fully open.</li> <li>3. Clean nozzles.</li> <li>4. Adjust the water pressure setting.</li> </ol>
Seat not heated	Seat temperature set to off.	Make sure that the water temp. setting is on.
Water (wash spray) not heated	Water temperature set to off.	Make sure that the water temp setting is on.



## Меры предосторожности

Пожалуйста, внимательно прочитайте инструкцию перед установкой и сохраните ее в доступном месте для использования в будущем.

Соблюдайте все меры предосторожности и предупреждения во избежание травм.

	<b>Предупреждение</b>	Соблюдайте все меры предосторожности и предупреждения во избежание травм.
	<b>Предосторожность</b>	Неправильное обращение может привести к возможному смертельному исходу или тяжелым травмам.

## Иллюстрация символов

Символ	Обозначение
	Запрещенные действия
	Обязательные действия

## Предупреждение



Никогда не разбирайте, не ремонтируйте и не вносите технические изменения в изделие во избежание поражения током

Не мойте электронные части и сетевой кабель водой и моющими средствами во избежание возгорания и поражения током

Не дотрагивайтесь мокрыми руками до вилки розетки во избежание поражения током

Запрещается подключать другие устройства в одну розетку

Запрещается использовать удлинители и розетки в неисправном состоянии во избежание пожара и поражения током.

Пожалуйста, не сгибайте и не деформируйте форсунку руками или инструментами. Это может привести к ухудшению работы продукта или его повреждению

Пожалуйста, используйте только водопроводную или питьевую воду

Не позволяйте ребенку стоять на крышке сиденья или ставить тяжелые предметы. Не стучите по крышке

Не допускайте повреждения сетевого провода и вилки сетевого провода. Неисправный сетевой провод должен быть заменен производителем, сервисной службой или квалифицированным специалистом во избежание риска

## Меры предосторожности

### Предупреждение

Пожалуйста, не сгибайте, не перекручивайте и не повреждайте шланг подачи воды. Иначе это может привести к протечке

Прекратите использование, если изделие неисправно. Нажмите кнопку сброса питания, отключите питание и закройте клапан подачи воды в следующих случаях:

- чрезмерный нагрев, задымление;
- ненормальный звук и запах;
- изделие повреждено или имеются трещины;
- изделие заблокировано;

Использование неисправного изделия может привести к поражению электрическим током, травмам, пожару или протечкам в помещении

Не используйте полироли, бензин, моющие средства, жесткие щетки и другие агрессивные чистящие реагенты для чистки крышки изделия и других пластиковых деталей. Это может вызвать химическую реакцию или привести к появлению трещин

Не сдвигайте сиденье или крышку. Изделие может упасть и это может привести к травмам

Во время грозы настоятельно рекомендуется обесточивать изделие

Во время установки, ремонта, разборки и чистки изделия электропитание и водоподача должны быть отключены

Данный продукт должен использоваться под напряжением 220В-240В, 50/60Гц, и силой тока не менее 10А. Вилка сетевого кабеля должна быть оснащена заземлителем или защитой от утечки тока, или похожим высокочувствительным выключателем (нормальная чувствительность тока до 10мА)

Установите вентиляционное оборудование в ванной комнате для избежания появления влажности. Не устанавливайте в помещениях с высокой влажностью или риском намочить изделие. В противном случае это может привести к поражению электрическим током или пожару.

При протечке воды перекройте клапан подачи воды и обратитесь в сервисную службу для ремонта

Вставьте крышку сиденья в быстросъемную консоль в передней части. Плавно потяните крышку сиденья и убедитесь, что крышка надежно установлена. Выполнение указаний поможет избежать травмы и обеспечит правильную работу изделия

Обесточьте изделие прежде чем снять крышку



**Обязательные операции**



### Предупреждение

Если Вы планируете не использовать изделие в течение длительного времени, пожалуйста, перекройте клапан подачи воды, слейте воду и отключите питание. Перед использованием изделия после перерыва слейте застоявшуюся воду

Обязательно использование УЗО

Место установки розетки должно находиться на высоте не менее 0,5 м над полом и на удалении от ванны и душа для избежания протечек

Обесточьте изделие перед чисткой и не подвергайте прямому попаданию воды

Не подвергайте изделие прямому воздействию открытых солнечных лучей

Поддерживайте комнатную температуру во избежание поломки из-за замерзания

Чтобы предотвратить ожоги пользователей, температура сиденья будет автоматически снижаться после 15 минут использования

Убедитесь, что электропитание отключено и клапан подачи воды перекрыт прежде чем снимать крышку сиденья

Обратите особое внимание если изделием пользуется человек с сердечными заболеваниями

Устройство может использоваться детьми от 8 лет и старше, людьми с ограниченными физическими, тактильными и умственными способностями или с ограниченным опытом и знаниями, если они были проинструктированы относительно использования устройства безопасными путями и осознают возможные риски

Дети не должны играть с устройством

Чистка и уход не должны выполняться детьми без присмотра

Неисправный сетевой кабель должен быть заменен производителем, сервисной службой или квалифицированным специалистом во избежание риска

  
**Обязательные операции**



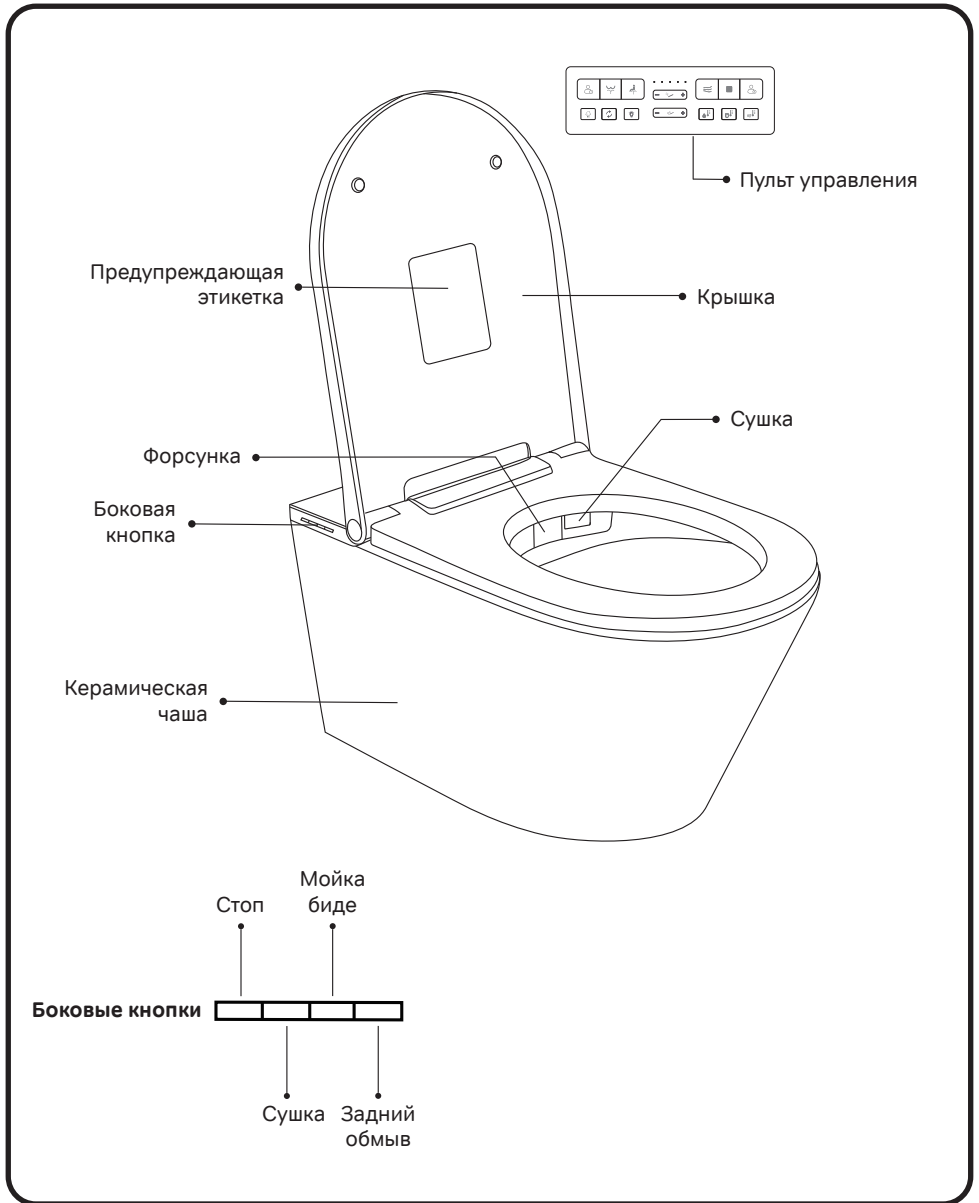
### Предупреждение

Чтобы предотвратить возможный риск затопления помещения изделие оборудовано таймером работы форсунки.

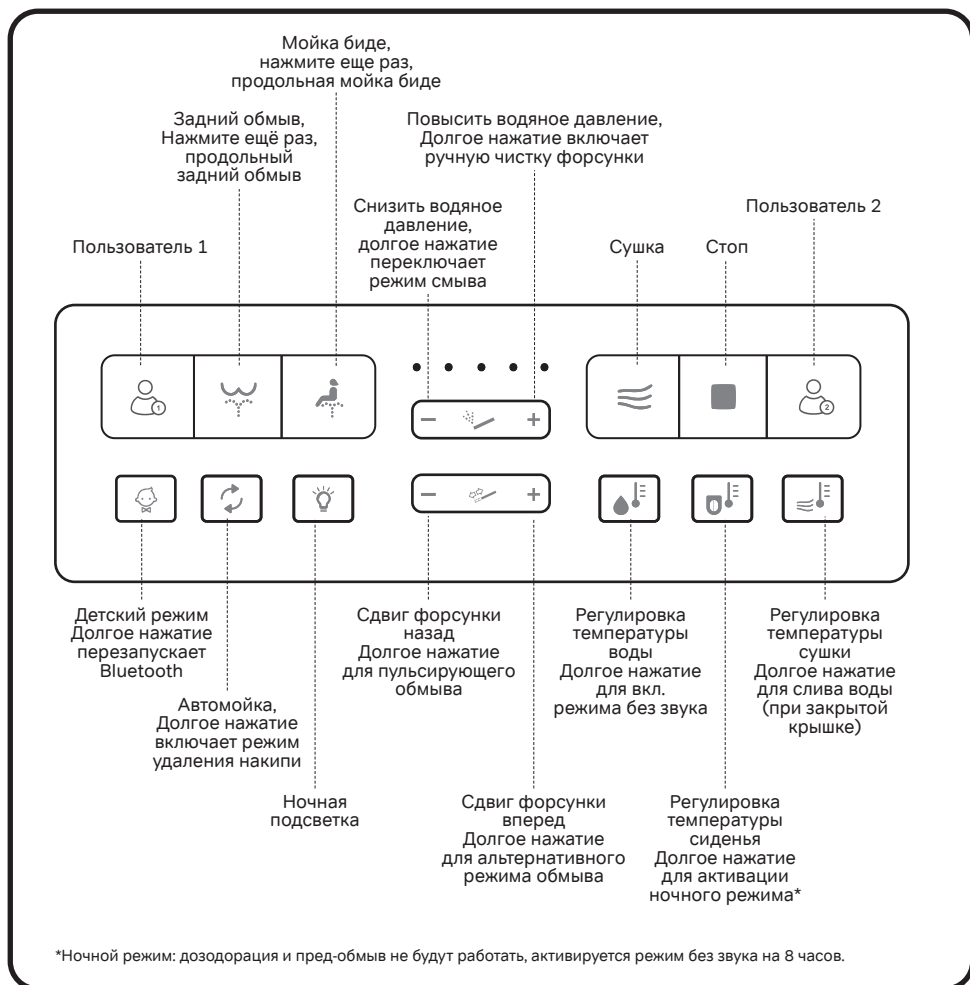
В случае непреднамеренного включения форсунки подача воды будет отключена через две минуты. (1,5 литра воды)









## Технические характеристики

Напряжение питания		220-240В~ 50-60Гц 1350Вт
Подача воды	Подключение воды	Подключение напрямую к трубе
	Давление воды	0.08МПа - 1МПа (0.8кгс/см <sup>2</sup> -10кгс/см <sup>2</sup> )
Устройство обмыва	Объем воды для задней обмыва	0.4л/мин-0.8л/мин
	Объем воды для мойки биде	0.4л/мин-0.8л/мин
	Тип водного нагревателя	Мгновенный
	Температура	Комнатная темп./мин. 33°C/ср. 37°C/ макс. 40°C
	Мощность нагрева	Максимум 1600Вт
	Предохранительное устройство	Плавкий выключатель/ температурный предохранитель
	Предохранитель от обратного потока	Гидрозатвор (EN1717/EN13077/Type AB)
Устройство нагрева сиденья	Температура	Комнатная темп./мин. 30°C/ср. 35°C/ макс. 40°C
	Мощность нагрева	24Вт
	Предохранительное устройство	Плавкий выключатель
Устройство сушки	Температура	Комнатная темп./мин. 35°C/ср. 45°C/ макс. 55°C
	Мощность нагрева	220Вт
	Предохранительное устройство	Плавкий выключатель
Длина кабеля питающего		0.25м
Вес нетто		32кг









# Инструкция для дистанционного управления

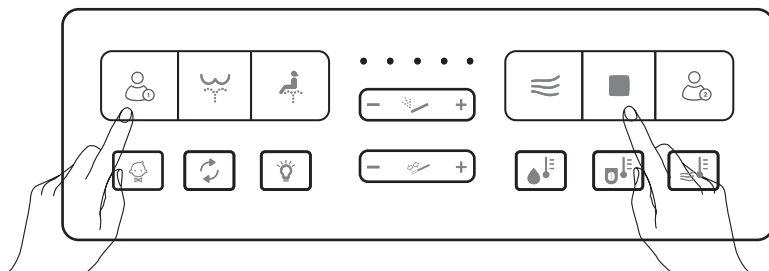


	<p><b>Задний обмыв/ продольный задний обмыв</b>          Сидя на унитазе, нажмите кнопку чтобы активировать задний обмыв в течении 2 минут. Когда задний обмыв уже активирован, нажмите ещё раз чтобы начать продольное движение форсунки (движение назад вперед для более тщательной чистки).</p>
	<p><b>Мойка биде/Продольная мойка биде</b>          Сидя на унитазе, нажмите кнопку чтобы активировать мойку биде в течении 2 минут. Когда мойка биде уже активирована, нажмите ещё раз чтобы начать продольное движение форсунки (движение назад вперед для более тщательной чистки).</p>
	<p><b>Сушка</b>          Сидя на унитазе, нажмите кнопку чтобы начать сушку мокрых частей. Активируется на 5 минут до автоматической остановки. Если вы же хотите остановить сушку до истечения 5 минут, нажмите Стоп, или просто закройте крышку унитаза.</p>
	<p><b>Стоп</b>          Сидя на унитазе, нажмите кнопку, чтобы остановить, запущенную функцию.</p>
	<p><b>Подсветка</b>          Долгое нажатие на кнопку меняет режим подсветки.</p>
	<p><b>Температура сушки</b>          Нажмите, чтобы изменить температуру сушки согласно предпочтениям. У сушки имеется 4 режима регулировки. Настройки предыдущего пользователя сохраняются пока новым пользователем не внесены какие-либо изменения. Температура сушки может быть изменена в любое время после активации. Долгое нажатие опустошить воду из бачка (при закрытой крышке).</p>
	<p><b>Позиция форсунки</b>          Нажмите, чтобы выставить положение форсунки. Нажатие клавиш «-» и «+», чтобы отрегулировать положение. Форсунка может быть отрегулирована в 5 разных положениях. Настройки предыдущего пользователя сохраняются пока новым пользователем не внесены какие-либо изменения. Регулировка положения форсунки может быть изменена в любое время после активации. Долгое нажатие «-» для запуска пульсирующей мойки. Долгое нажатие «+» для запуска мойки холодной водой.</p>
	<p><b>Давление воды</b>          Нажмите для регулировки давления воды. Доступно 3 режима давления воды. Настройки предыдущего пользователя сохраняются пока новым пользователем не внесены какие-либо изменения. Режим давления воды может быть изменен в любое время после активации. Долгое нажатие «-», включает режим смыва (опционально). В обычном режиме смыв происходит при закрытой крышке. В режиме смыва, смыв происходит, когда сушка начинает работать, происходит автоматический смыв в тоже время. Долгое нажатие «+», включает ручную чистку форсунки.</p>

## Функции

	<p><b>Температура воды / Переключить на режим без звука</b> Нажмите, чтобы выставить температуры воды. Регулировка температуры воды доступна в 4 режимах. Настройки предыдущего пользователя сохраняются пока новым пользователем не внесены какие-либо изменения. Регулировка температуры воды доступна в любое время после активации. Долгое нажатие на кнопку активирует режим без звука.</p>
	<p><b>Установить температуру сиденья/ночной режим</b> Нажмите кнопку чтобы установить желаемую температуру сиденья. Доступны 4 режима температуры. Настройки предыдущего пользователя сохраняются пока новым пользователем не внесены какие-либо изменения. Долгое нажатие активирует ночной режим. В ночном режиме дезодорирование и пред обмыв не работают и активируется режим без звука в течении 8 часов.</p>
	<p><b>Режим «Дети»</b> Нажмите чтобы активировать автоматический режим «Дети» Зажмите Задний обмыв в течении 15 с -&gt; продольный задний обмыв -&gt; сушка в течении 1 минуты. Мойка биде 15 с -&gt; Продольная мойка биде-&gt; Сушка в течении 1 минуты. Температура воды, давление воды и сушка переведены в самое нижнее положение по умолчанию. Долгое нажатие перезапускает Bluetooth (опционально). Когда туалет не может быть найден приложение, перезапустите BT.</p>
	<p><b>Программа автомойки.</b> Нажмите кнопку чтобы включить «Авторежим задний обмыв». Задняя продольная мойка в течении 60 с -&gt; сушка в течении 3 минут. Настройки предыдущего пользователя сохраняются пока новым пользователем не внесены какие-либо изменения в режимах температура воды, давление воды и температура сушки. Долгое нажатие включает режим удаления накипи.</p>
	<p>При долгом нажатии на кнопку «Пользователь 1» после использования функции пульт дистанционного управления запишет все настройки функций унитаза (включая температуру воды, давления воды, температуру сушки, температуру сиденья, положение форсунки).</p>
	<p>При долгом нажатии на кнопку «Пользователь 2» после использования функции пульт дистанционного управления запишет все настройки функций унитаза (включая температуру воды, давления воды, температуру сушки, температуру сиденья, положение форсунки). Коротко нажмите «Пользователь 2», чтобы переключить на набор настроек второго пользователя.</p>

1. Проверьте работоспособность каждой функции согласно мануала.
2. Включить питание и откройте крышку, вода будет нагрета согласно выставленным параметрам, а также сушка начнет работу после нажатия на соответствующую клавишу.
3. Пульт управления уже был сопряжен с унитазом на фабрике. Если вы поменяли пульт, необходимо произвести сопряжение (Зажмите клавиши «Пользователь 1+ Стоп» на пульте одновременно до тех пор, пока на пульте не загорится лампочка, после этого выключите питание и подождите 10 сек., сопряжение будет завершено).

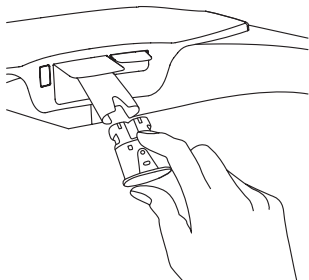


## Обслуживание

### Очистка сиденья

**Важно:** отключите продукт от питания перед тем как производить очистку или съём сиденья.

Используйте мягкую, влажную ткань для очистки сиденья. Не используйте жесткие щетки, абразивные средства для очистки продукта. Не используйте растворитель, бензин, кислотные химикаты, хлорку, моющие средства с соляной кислотой.

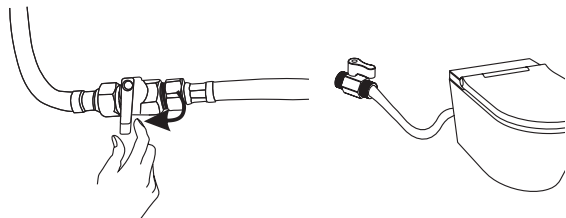


### Очистка форсунки и распылителя

1. Пожалуйста, производите очистку форсунки регулярно.

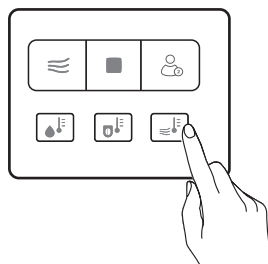
Долгое нажатие кнопки «+» выдвинет форсунку, снимите головку распылителя, а затем произведите очистку зубной щеткой или мягкой тканью.

2. Пожалуйста, не тяните за форсунку. Нажмите кнопку «Стоп» после окончания очистки для возвращения форсунки в исходное положение.

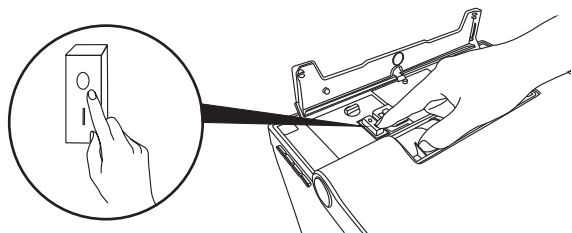


### Длительный простой

1. Закройте вентиль для остановки подачи воды.



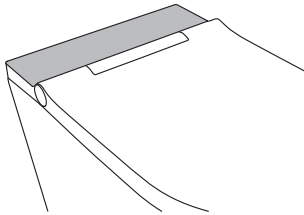
2. Долгое нажатие на кнопку «Температура сушки» запустит слив воды из бачка.



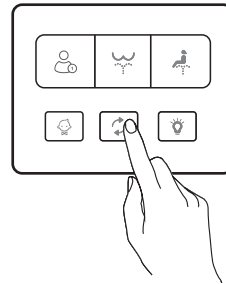
3. Нажмите кнопку питания чтобы выключить умный унитаз.



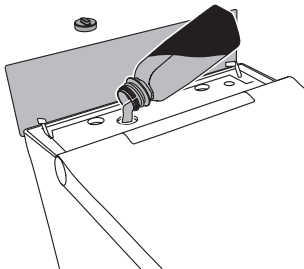
## Удаление накипи



1. Откройте стеклянную крышку.



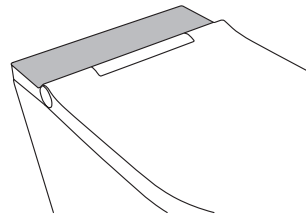
2. Долгое нажатие активирует программу удаления накипи, форсунка произведет самоочистку в процессе дренажа, когда слив будет произведен, туалет издаст звук сигнализирующий о необходимости добавить средство от накипи.



3. Откройте резиновую крышку, добавьте средство от накипи. Туалете продолжит издавать звуковые сигналы во время добавления средства. Закончите подачу средства после длинного звукового сигнала.



22 min.



4. Поставьте резиновую заглушку на место и закройте стеклянную крышку, туалет начнет процесс удаления накипи. В процессе удаления накипи туалет не может быть использован по назначению до окончания процесса удаления накипи. При отсутствии питания процесс удаления накипи продолжится после перезагрузки. Весь процесс удаления накипи длится 22 минуты. Туалет издаст звуковой сигнал когда процесс накипи завершится.

## Возможные ошибки

Если биде функционирует не как положено, пожалуйста, ознакомьтесь со списком возможных проблем, перед тем как обращаться в сервисный центр. Большинство проблем может быть решено с помощью всего нескольких простых действий. Если у вас не удастся разрешить проблемы после ознакомления со списком возможных неполадок, пожалуйста, свяжитесь с сервисным центром.

### Перед тем как продолжить:

- удостоверьтесь что смарт унитаз подключен к сети и корректно работает;
- в пульт управления вставление батарейки не истекшим зарядом и соблюдена полярность (2 x AAA);
- убедитесь, что фильтр-сетка очищен.

После того, как факторы указанные выше исключены, пожалуйста, ознакомитесь с таблицей ниже.

Проблема	Возможная причина	Возможные решения
Вода продолжает течь после использования туалета	Вода течет из форсунки	<ol style="list-style-type: none"><li>1. Вода из форсунки выходит до или после мойки является функцией самоочистки, а не неисправностью.</li><li>2. Остатки воды могут капать в чашу в течении нескольких секунд после смыва и не являются неисправностью.</li></ol>
Вода истекает из других мест кроме форсунки	<ol style="list-style-type: none"><li>1. Вода течет из вентиля.</li><li>2. Вода течет из шланга-коннектора для биде.</li></ol>	<ol style="list-style-type: none"><li>1. Убедитесь, что резиновая прокладка установлена правильно и место соединения затянуто.</li><li>2. Убедитесь, что шланг правильно установлен и затянут в месте крепления.</li></ol>
Приложение не может найти туалет по Bluetooth	Проблема с Bluetooth	Долгое нажатие для перезагрузки Bluetooth
Биде не работает	<ol style="list-style-type: none"><li>1. Биде не подключено.</li><li>2. Отсутствует питание на Биде.</li><li>3. Питание есть, но ничего не происходит.</li></ol>	<ol style="list-style-type: none"><li>1. Убедитесь, что биде подключено.</li><li>2. Проверьте питание.</li></ol>
Продукт выключается во время использования	<ol style="list-style-type: none"><li>1. Время мойки превышает заданное.</li><li>2. Проблема с питанием.</li></ol>	<ol style="list-style-type: none"><li>1. Нажмите, кнопку мойки чтобы увеличить время.</li><li>2. Проверьте питание.</li></ol>
Слабый поток воды или давление подачи	<ol style="list-style-type: none"><li>1. Засоренный фильтр.</li><li>2. Клапан подачи воды открыт не полностью.</li><li>3. Засоренная форсунка.</li><li>4. Настройки давление.</li></ol>	<ol style="list-style-type: none"><li>1. Снимите, очистите и переустановите.</li><li>2. Проверьте вентиль подачи воды.</li><li>3. Очистите форсунки.</li><li>4. Отрегулируйте давление воды.</li></ol>
Сиденье не нагревается	Нагрев сиденья выставлен на выкл.	Удостоверьтесь в правильной настройке температуры сиденья
Вода не нагревается	Нагрев воды выставлен на выкл.	Удостоверьтесь в правильной настройке температуры воды



AM · PM

AM.PM Europe GmbH  
Torstrasse 177 D-10115 Berlin  
[www.ampm-world.com](http://www.ampm-world.com) 12/2022